

# Retighten the fixing bolts of the bearing pins for the lower wishbones on the front axle **922**

At the first and second maintenance jobs,  
then every 15 000 km /10 000 miles

Types 108 109 111 113

## Tightening torque, kpm

Hex.-hd. bolts M 12 x 1,5 of the  
bearing pins for the lower wishbones

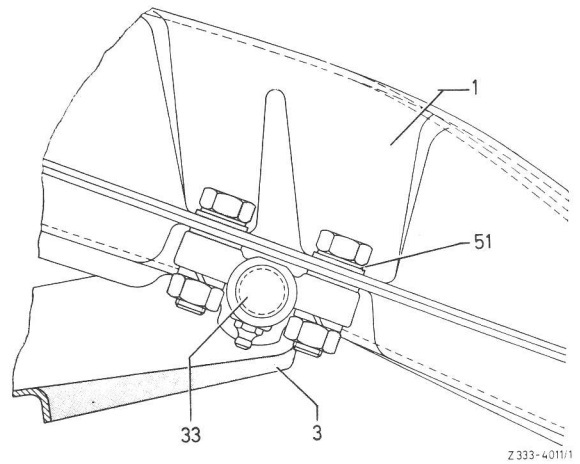
13

## Special tools

Torque wrench 0–25 kpm<sup>4</sup>

000 589 25 21 00  
or standard

- Check hex-hd. bearing pin bolts, 4 on the left, 4 on the right, for tight fit and retighten, if required.



1 Front axle support  
2 Lower wishbone

33 Bearing pin  
51 Washer

