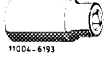

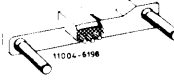
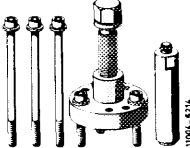


03-343 Removal and installation of pulley and balancing disc

Tightening torques	Nm
Bolt M 18 x 1.5 x 45 on crankshaft	270-330
Bolts M 8 x 20	35

Special tools

Socket 27 mm, 1/2" square		001 589 65 09 00
Torque wrench 3/4" square, 150-500 Nm		001 589 31 21 00
Detent		110 589 00 40 00
Puller for balancing disc		116 589 10 33 00

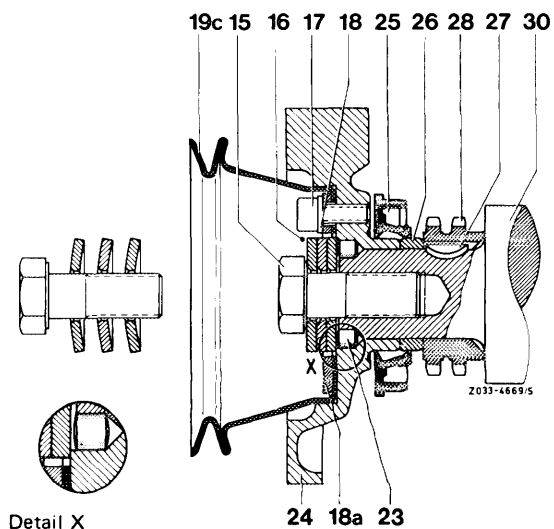
Conventional tool

Adapter 3/4" square socket to 1/2" square head	e.g. made by Hazet, D-5630 Remscheid order no. 1058 R-1
--	--

Note

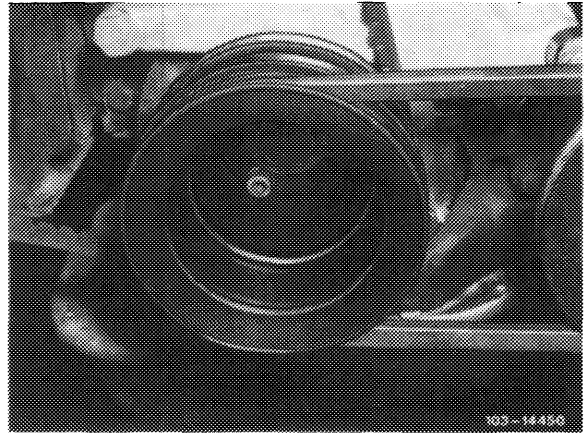
When the **balancing disc** is replaced, **static balancing is required** (03-344).

- | | |
|-------------------------|------------------------|
| 15 Bolt M 18 x 1.5 x 45 | 24 Balancing disc |
| 16 Disc springs | 25 Radial sealing ring |
| 17 Bolts M 8 x 20 | 26 Spacing ring |
| 18 Washer | 27 Woodruff key |
| 18a Thrust washer | 28 Crankshaft gear |
| 19c Pulley | 30 Crankshaft |
| 23 Set pin 8 x 8 | |



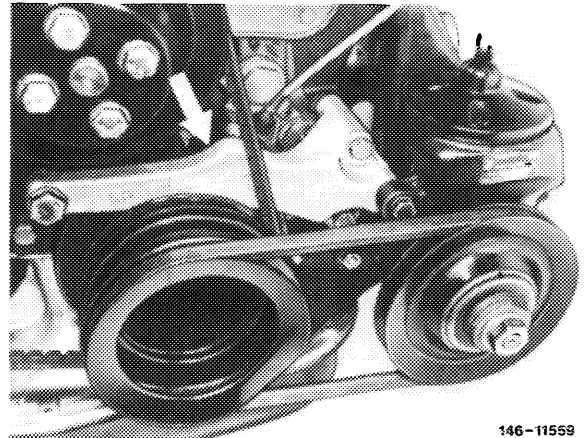
Removal

- 1 Remove radiator and fan.
- 2 Unscrew pulley and remove.

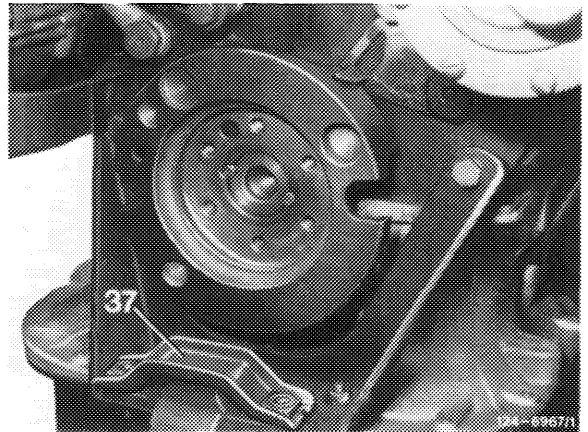


- 3 On model 123 with powersteering, remove front aluminum carrier of powersteering pump (arrow)

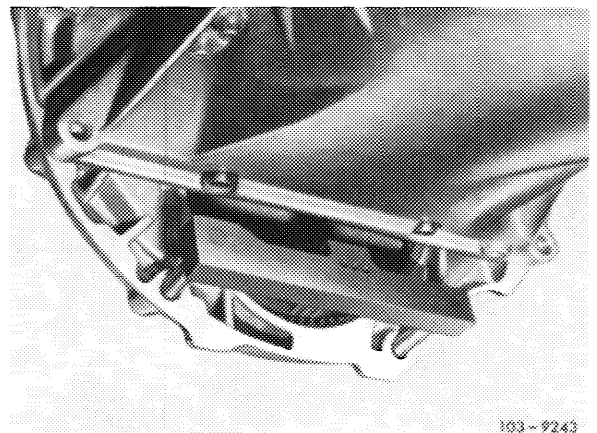
Note: Not required for (AUS), (J), (S) and (USA) starting 1977.



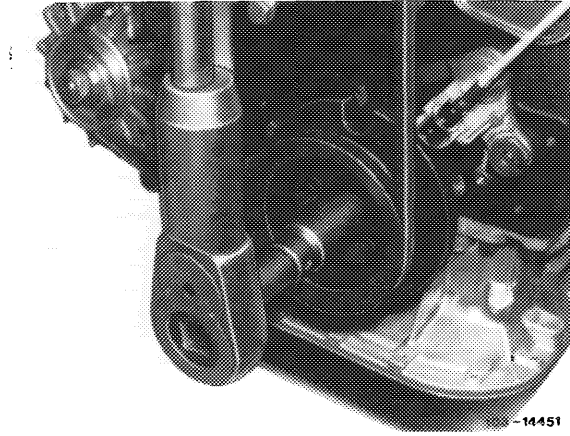
- 4 On model 115.015, unscrew clamp (37) of front engine stop.



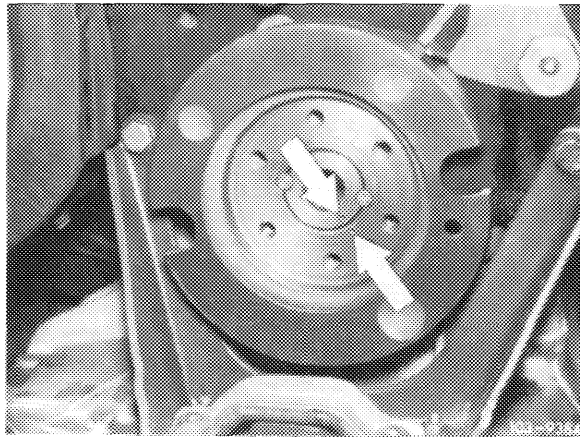
- 5 Position detent against flywheel.



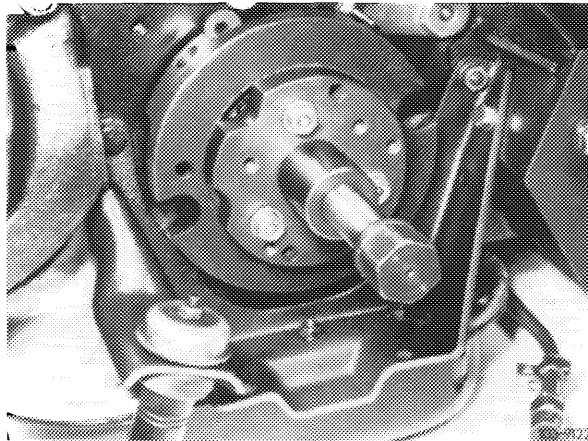
6 Unscrew bolt on crankshaft.



7 Mark balancing disc and crankshaft by means of a punch.



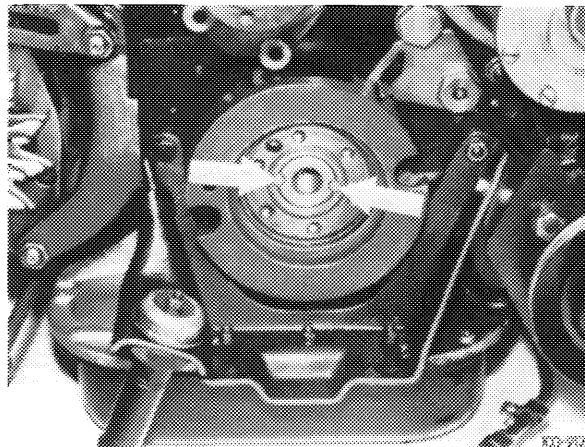
8 Pull-off balancing disc with puller.



Installation

9 Place balancing disc on crankshaft in such a manner that the bores for the set pins are in alignment.

Note: The balancing disc is located on crankshaft by means of two **offset** set pins.

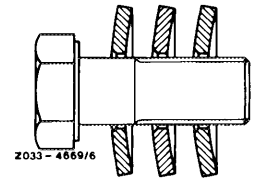


10 Mount balancing disc with bolt M 18 x 1.5 x 45 and disc springs on crankshaft.

11 Knock in both set pins.

12 Mount the three disc springs with crown toward bolthead.

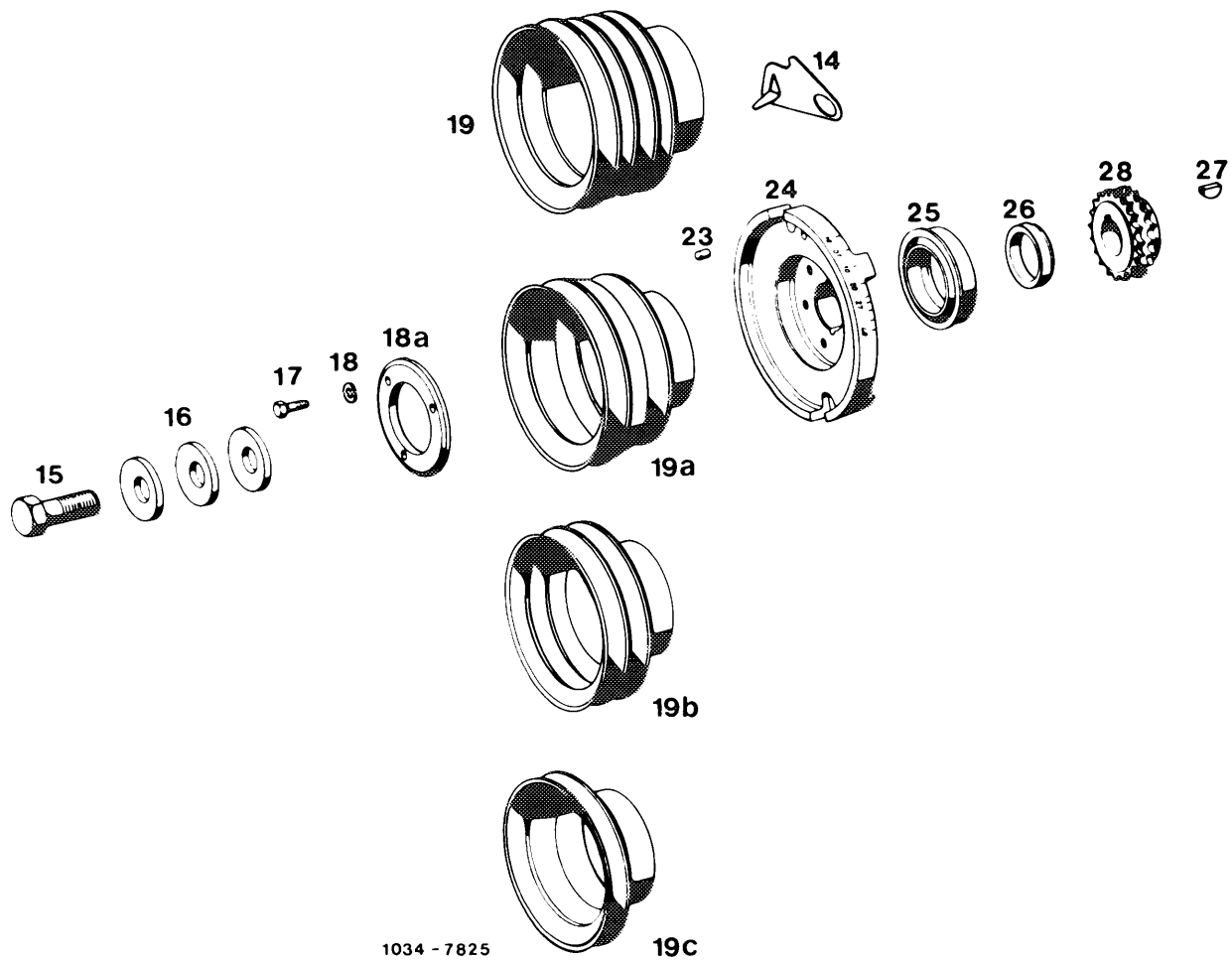
13 Tighten bolt on crankshaft to 270–330 Nm, while applying counterhold to crankshaft by means of detent.



14 On model 123 with powersteering, install aluminum carrier and on model 115.015 clamp for front engine stop.

15 Install pulley, fan and cooler.

Balancing disc and pulleys



1034 - 7825

- | | | | |
|-----|---|----|---------------------|
| 14 | Indicator | 23 | 2 Sets pins 8 x 8 |
| 15 | Bolt M 18 x 1.5 x 45 | 24 | Balancing disc |
| 16 | Disc springs | 25 | Radial sealing ring |
| 17 | 3 Bolts M 8 x 20 | 26 | Facing ring |
| 18 | 3 Washers 8.4 | 27 | Woodruff key |
| 18a | Thrust washer | 28 | Crankshaft sprocket |
| 19 | Pulley
(Engines 115.951/954 with powersteering, air conditioner and air pump) | | |
| 19a | Pulley
(Engines 115.938/939/954 with powersteering and air conditioner in combination with pulley 19c) | | |
| 19b | Pulley (Engines 115.923/926/951 with powersteering and air conditioner in combination with pulley 19c) | | |
| 19c | Pulley (not installed with pulley 19) | | |