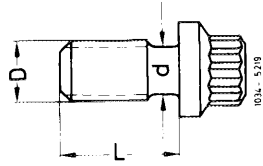


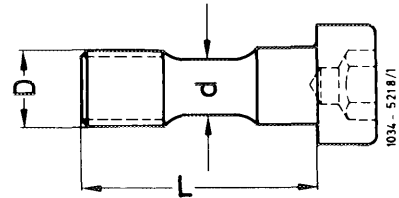
03--410 Removing and installing flywheel and driven plate

Necked-down screws

for manual transmission



for automatic transmission

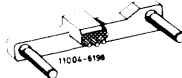


Part no.		615 032 05 71	108 990 03 19
Thread dia. D		M 10 x 1	
Necked-down shank dia. d	when new	8.5-0.2	7.7-0.2
	min dia.	8.1	7.3
Length L		20	31

Tightening torques

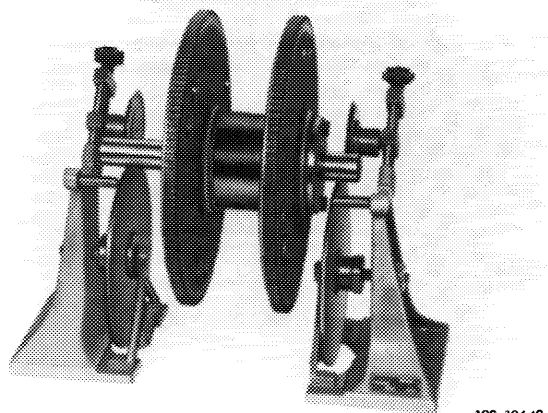
Initial torque	30-40 Nm
Angle of rotation torque	90-100°

Special tools

Detent		110 589 00 40 00
--------	---	------------------

Note

If a new flywheel is installed, set to balancing condition of removed flywheel (03-440).

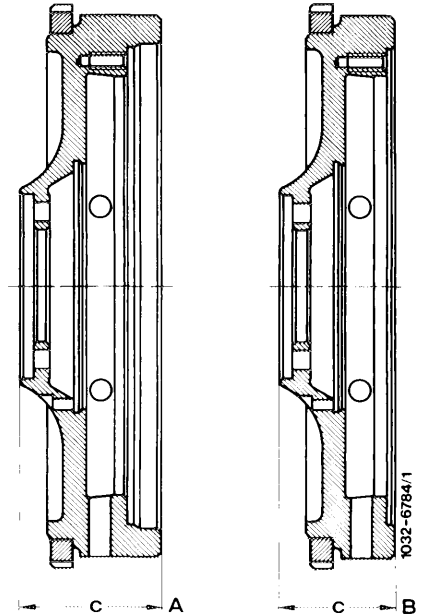


103-1064E

The flywheel for manual transmission of engines 115.938/939 is lighter than the flywheel of engines 115.923/926/951 and 954.

The flywheels are identified by the different width of "dimension c".

- A Flywheel of engines 115.923/926/951/954
c = 73.5 mm
- B Flywheel of engines 115.938/939
c = 59.5 mm

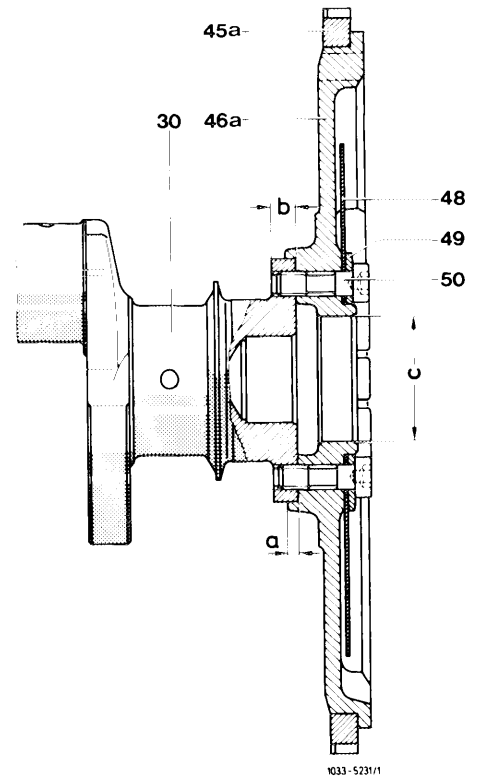


Do not install lighter flywheel on engines 115.923/926/951 and 954.

The flywheel for automatic transmission is the same on all engines.

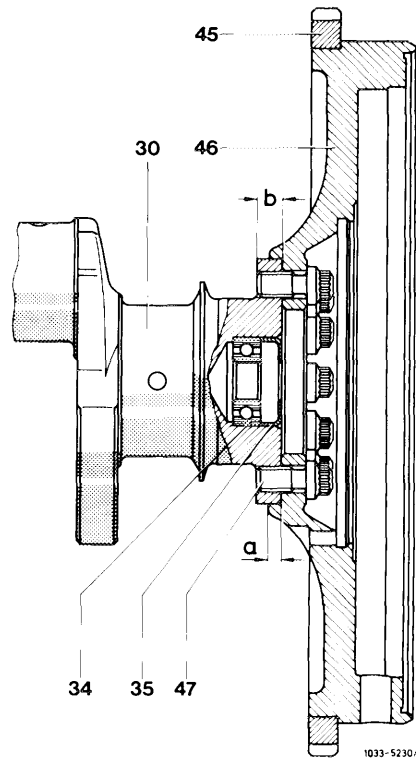
Do not confuse this flywheel with flywheel of engine 110.

- Engine 115: dimension a = 7.0 mm
- Engine 110: dimension a = 4.5 mm



Layout of flywheel and driven plate for automatic transmission

- | | | | |
|-----|-------------------|---|-----------------------------|
| 30 | Crankshaft | a | 7 mm |
| 45a | Ring gear | b | 10 mm |
| 46a | Flywheel | c | 50 mm dia. (transmission) |
| 48 | Driven plate | | K 4 C 025) |
| 49 | Spacing washer | | c 35 mm dia. (transmission) |
| 50 | Necked-down screw | | W 4 B 025) |

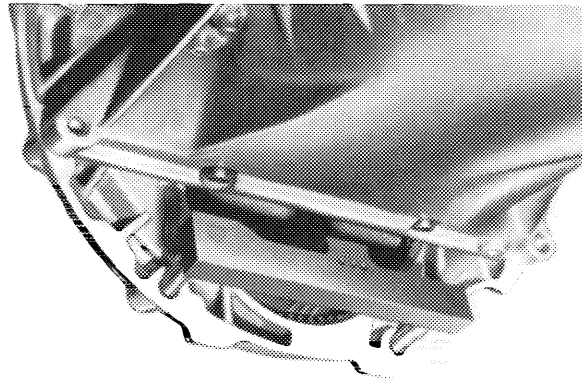


Layout flywheel for manual transmission

- | | |
|-----------------|----------------------|
| 30 Crankshaft | 46 Flywheel |
| 34 Ball bearing | 47 Necked-down screw |
| 45 Closing ring | a 6.5 mm |
| 45 Ring gear | b 10 mm |

Removal

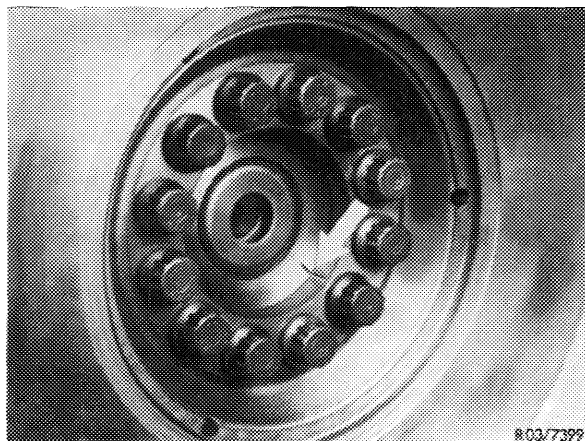
- 1 Removal transmission.
- 2 Insert detent on flywheel.



103-9243

- 3 Loosen necked-down screws, remove flywheel, driven plate and spacing washer.

Note: The flywheels are marked together with crankshaft (arrow).



803/7399

Flywheel manual transmission

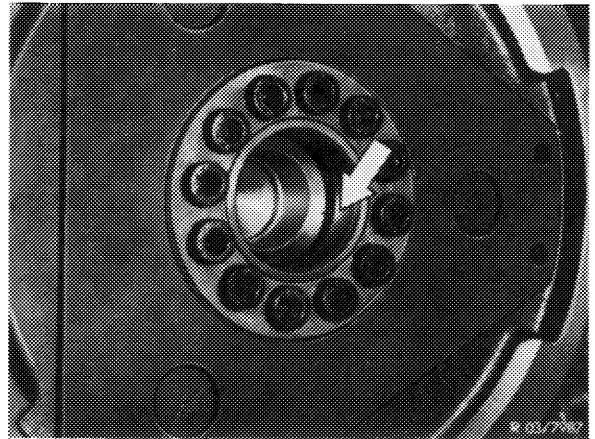
Installation

4 Measure necked-down shank dia. d of necked-down screws.

Replace necked-down screws when minimum dia. is attained.

5 Position flywheel, driven plate and spacing washer on crankshaft journal in such a manner that the markings are in alignment.

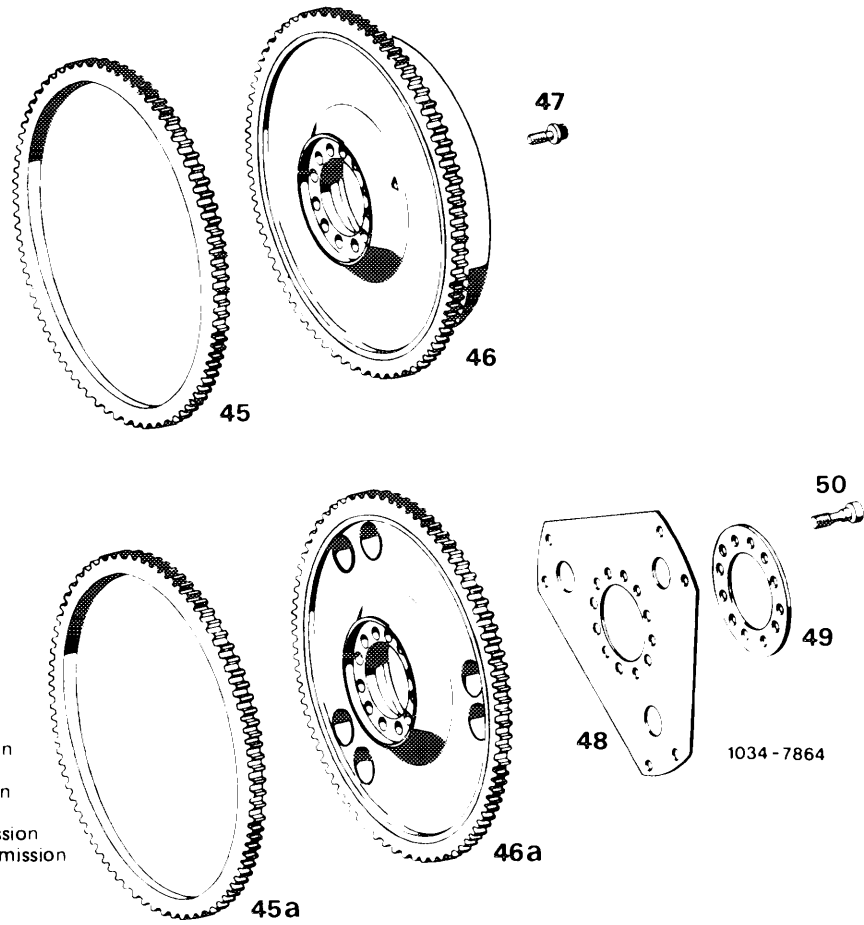
6 Screw in necked-down screws and tighten to 30–40 Nm.



Flywheel automatic transmission

7 Tighten to angle of rotation torque of 90–100°.

Flywheel and driven plate



- 45 Ring gear manual transmission
- 45a Ring gear automatic transmission
- 46 Flywheel manual transmission
- 46a Flywheel automatic transmission
- 47 12 necked-down screws
- 48 Driven plate automatic transmission
- 49 Spacing washer automatic transmission
- 50 12 necked down screws