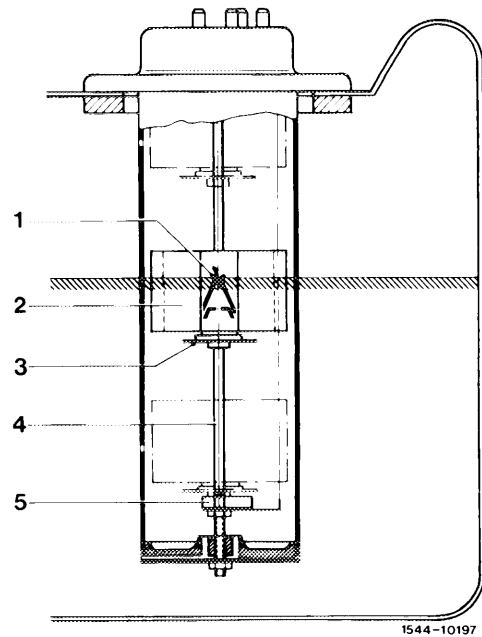


47-715 Functional description of immersion tube transmitter for fuel gage

All models

When the fuel level drops, the sliding contact (1) on float (2) of immersion tube transmitter increases the resistance value, the voltage will drop and the needle in instrument will spring back.

When the fuel drops still further, the reserve warning contact (5) in immersion tube transmitter is closed and will connect the reserve warning lamp to ground.



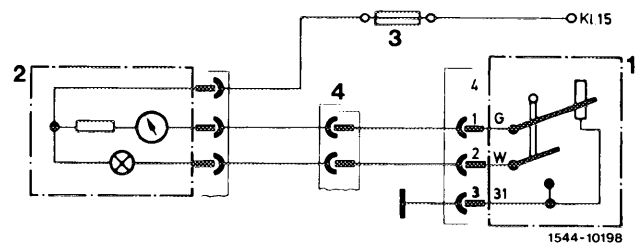
Immersion tube transmitter

- | | |
|-------------------|---------------------------|
| 1 Sliding contact | 4 Guide and contact rod |
| 2 Float | 5 Reserve warning contact |
| 3 Contact plate | |

When the ignition is switched on, the indicating instrument and the reserve warning lamp will be energized.

Sedan

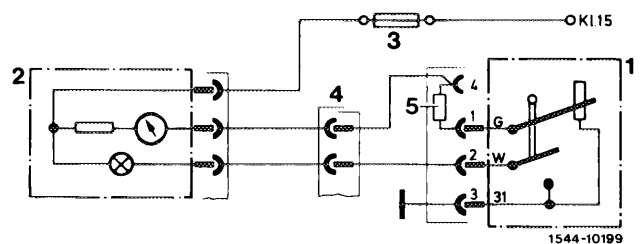
- | |
|------------------------------|
| 1 Immersion tube transmitter |
| 2 Fuel indicating instrument |
| 3 Fuse |
| 4 Cable connector |



On T-sedans and special vehicles with special body the coupling of the immersion tube transmitter is provided with a compensating resistor 4.7Ω (color rings yellow/purple/gold/gold), so that in spite of different fuel tanks the same indicating instrument can be used.

T-sedan and special vehicles with special body

- | |
|------------------------------|
| 1 Immersion tube transmitter |
| 2 Fuel indicating instrument |
| 3 Fuse |
| 4 Cable connector |
| 5 Resistor 4.7Ω |



Check fuel gage (fuel readout) (54-269).