

COMPONENT INDEX

| COMPONENT                             | MODEL 123               |                         |                         |                         |                         | MODEL 116               |                     |                     |                     |                     | MODEL 107           |                     |
|---------------------------------------|-------------------------|-------------------------|-------------------------|-------------------------|-------------------------|-------------------------|---------------------|---------------------|---------------------|---------------------|---------------------|---------------------|
|                                       | 240D                    | 280E                    | 280CE                   | 300D                    | 300CD                   | 300TD                   | 280SE               | 300SD               | 450SEL              | 6.9                 | 450SL               | 450SLC              |
| Alternator                            | 1-2C, 12                | 1-2C, 13                | 1-2C, 13                | 1-2C, 12                | 1-2C, 12                | 1-2C, 12                | 2-1C                | 2-1C                | 2-1C                | 2-1C                | 3-2C                | 3-2C                |
| Ambient Temperature Sensor            | -                       | 4                       | 4                       | 4                       | 4                       | 4                       | 4                   | 4                   | 4                   | 4                   | 4                   | 4                   |
| Automatic Transmission Solenoid Valve | 1-13F                   | 1-13F                   | 1-13F                   | 1-13F                   | 1-13F                   | 1-13F                   | 2-14H               | 2-14H               | 2-14H               | 2-14H               | 3-15E               | 3-15E               |
| Battery                               | 1-3D, 12                | 1-3D, 13                | 1-3D, 13                | 1-3D, 12                | 1-3D, 12                | 1-3D, 12                | 2-3D                | 2-3D                | 2-3D                | 2-3D                | 3-15E               | 3-15E               |
| Bi-Level Flap Valve                   | -                       | 4                       | 4                       | 4                       | 4                       | 4                       | 4                   | 4                   | 4                   | 4                   | 4                   | 4                   |
| Brake Wear Sensor; front left         | 1-9L                    | 1-9L                    | 1-9L                    | 1-9L                    | 1-9L                    | 1-9L                    | 2-12M               | 2-12M               | 2-12M               | 2-12M               | 3-11L               | 3-11L               |
| Brake Wear Sensor; front right        | 1-9L                    | 1-9L                    | 1-9L                    | 1-9L                    | 1-9L                    | 1-9L                    | 2-12M               | 2-12M               | 2-12M               | 2-12M               | 3-11L               | 3-11L               |
| Cigar Lighter                         | 1-29E                   | 1-29E                   | 1-29E                   | 1-29E                   | 1-29E                   | 1-29E                   | 2-9G                | 2-9G                | 2-9G                | 2-9G                | 3-35H               | 3-35H               |
| Climate Control Amplifier             | -                       | 4                       | 4                       | 4                       | 4                       | 4                       | 4                   | 4                   | 4                   | 4                   | 4                   | 4                   |
| Climate Control Unit                  | -                       | 4                       | 4                       | 4                       | 4                       | 4                       | 4                   | 4                   | 4                   | 4                   | 4                   | 4                   |
| Clock                                 | 1-20C                   | 1-20C                   | 1-20C                   | 1-20C                   | 1-20C                   | 1-20C                   | 2-20K               | 2-20K               | 2-20K               | 2-20K               | 3-24J               | 3-24J               |
| Cold Start Valve                      | -                       | 13                      | 13                      | -                       | -                       | -                       | 2-4E                | 2-4E                | 2-4E                | 2-4E                | 3-6E                | 3-6E                |
| Coolant Temperature Sensor            | 1-13L                   | 1-13L                   | 1-13L                   | 1-13L                   | 1-13L                   | 1-13L                   | 2-14L               | 2-14L               | 2-14L               | 2-14L               | 3-13L               | 3-13L               |
| Cruise Control Actuator               | 6                       | 6                       | 6                       | 6                       | 6                       | 6                       | 6                   | 6                   | 6                   | 6                   | 6                   | 6                   |
| Cruise Control Amplifier              | 6                       | 6                       | 6                       | 6                       | 6                       | 6                       | 6                   | 6                   | 6                   | 6                   | 6                   | 6                   |
| Diagnostic Plug                       | -                       | 13                      | 13                      | -                       | -                       | -                       | 2-7H                | 2-7H                | 2-7H                | 2-7H                | 3-7H                | 3-7H                |
| Distributor                           | -                       | 13                      | 13                      | -                       | -                       | -                       | 2-4J                | 2-4J                | 2-6J                | 2-6J                | 3-6J                | 3-6J                |
| Engine Temperature Sensor             | 12                      | -                       | -                       | 12                      | 12                      | 12                      | -                   | -                   | -                   | -                   | -                   | -                   |
| Enrichment Compensation Heater        | -                       | 13                      | 13                      | -                       | -                       | -                       | 2-7E                | 2-7E                | 2-7E                | 2-7E                | -                   | -                   |
| Flasher                               | -                       | -                       | -                       | -                       | -                       | -                       | 2-20D               | 2-20D               | 2-20D               | 2-20D               | -                   | -                   |
| Fuel Gauge                            | 1-10J                   | 1-10J                   | 1-10J                   | 1-10J                   | 1-10J                   | 1-10J                   | 2-14K               | 2-14K               | 2-14K               | 2-14K               | 3-14J               | 3-14J               |
| Fuel Tank Sensor                      | 1-10L                   | 1-10L                   | 1-10L                   | 1-10L                   | 1-10L                   | 1-10L                   | 2-14L               | 2-14L               | 2-14L               | 2-14L               | 3-14L               | 3-14L               |
| Fuses:                                |                         |                         |                         |                         |                         |                         |                     |                     |                     |                     |                     |                     |
| Climate Control Amplifier; in-line    | -                       | 4                       | 4                       | 4                       | 4                       | 4                       | 4                   | 4                   | 4                   | 4                   | 4                   | 4                   |
| Glow Plug; in-line                    | 12                      | -                       | -                       | 12                      | 12                      | 12                      | -                   | -                   | -                   | -                   | -                   | -                   |
| Main Fuse Box                         | 1-11C,23A,<br>23G,29C,8 | 1-11C,23A,<br>23G,29C,8 | 1-11C,23A,<br>23G,29C,8 | 1-11C,23A,<br>23G,29C,8 | 1-11C,23A,<br>23G,29C,8 | 1-11C,23A,<br>23G,29C,8 | 2-15B,31G,<br>35B,8 | 2-15B,31G,<br>35B,8 | 2-15B,31G,<br>35B,8 | 2-15B,31G,<br>35B,8 | 3-16A,29F,<br>35F,8 | 3-16A,29F,<br>35F,8 |
| Radio; in-line                        | 1-30E                   | 1-30E                   | 1-30E                   | 1-30E                   | 1-30E                   | 1-30E                   | 2-10F               | 2-10F               | 2-10F               | 2-10F               | -                   | -                   |
| Seat Heaters Fuse Box                 | 9                       | 9                       | 9                       | 9                       | 9                       | 9                       | 9                   | 9                   | 9                   | 9                   | 9                   | 9                   |
| Gauges:                               |                         |                         |                         |                         |                         |                         |                     |                     |                     |                     |                     |                     |
| Fuel                                  | 1-10J                   | 1-10J                   | 1-10J                   | 1-10J                   | 1-10J                   | 1-10J                   | 2-14K               | 2-14K               | 2-14K               | 2-14K               | 3-14J               | 3-14J               |
| Tachometer                            | -                       | -                       | -                       | -                       | -                       | -                       | 2-15K               | 2-15K               | 2-15K               | 2-15K               | 3-18J               | 3-18J               |
| Temperature                           | 1-14J                   | 1-14J                   | 1-14J                   | 1-14J                   | 1-14J                   | 1-14J                   | 2-15K               | 2-15K               | 2-15K               | 2-15K               | 3-13J               | 3-13J               |
| Glow Plug Resistors                   | 12                      | -                       | -                       | 12                      | 12                      | 12                      | -                   | -                   | -                   | -                   | -                   | -                   |
| Glow Plugs                            | 12                      | -                       | -                       | 12                      | 12                      | 12                      | 14                  | 14                  | 14                  | 14                  | -                   | -                   |
| Glow Plug Timer                       | 12                      | -                       | -                       | 12                      | 12                      | 12                      | 2-15L,14            | 2-15L,14            | 2-15L,14            | 2-15L,14            | -                   | -                   |
| Hazard/Flasher Timer Assembly         | 1-18H                   | 1-18H                   | 1-18H                   | 1-18H                   | 1-18H                   | 1-18H                   | -                   | -                   | -                   | -                   | 3-19D               | 3-19D               |
| Heating Coil                          | -                       | -                       | -                       | -                       | -                       | -                       | -                   | -                   | -                   | -                   | 3-5B                | 3-5B                |
| Horns                                 | 1-11D                   | 1-11D                   | 1-11D                   | 1-11D                   | 1-11D                   | 1-11D                   | 2-36D               | 2-36D               | 2-36D               | 2-36D               | 3-22B               | 3-22B               |
| Ignition Coil                         | -                       | 13                      | 13                      | -                       | -                       | -                       | 2-5H                | 2-5H                | 2-5H                | 2-5H                | 3-5H                | 3-5H                |
| In-Car Temperature Sensor             | -                       | 4                       | 4                       | 4                       | 4                       | 4                       | 4                   | 4                   | 4                   | 4                   | 4                   | 4                   |
| Instrument Panel                      | 1-10J,20C,<br>25H       | 1-10J,20C,<br>25H       | 1-10J,20C,<br>25H       | 1-10J,20C,<br>25H       | 1-10J,20C,<br>25H       | 1-10J,20C,<br>25H       | 2-18K,34H           | 2-18K,34H           | 2-18K,34H           | 2-18K,34H           | 3-18J,32J           | 3-18J,32J           |
| Instrument Panel Lamp Rheostat        | 1-14J                   | 1-14J                   | 1-14J                   | 1-14J                   | 1-14J                   | 1-14J                   | 2-26J               | 2-26J               | 2-26J               | 2-26J               | 3-25J               | 3-25J               |
| Interval Wiper Control Unit           | 1-26H                   | 1-26H                   | 1-26H                   | 1-26H                   | 1-26H                   | 1-26H                   | 2-35H               | 2-35H               | 2-35H               | 2-35H               | 3-33H               | 3-33H               |

COMPONENT INDEX

| COMPONENT                   | MODEL 123 |       |       |       |       |       | MODEL 116 |       |        |       | MODEL 107 |        |
|-----------------------------|-----------|-------|-------|-------|-------|-------|-----------|-------|--------|-------|-----------|--------|
|                             | 240D      | 280E  | 280CE | 300D  | 300CD | 300TD | 280SE     | 300SD | 450SEL | 6.9   | 450SL     | 450SLC |
| Lamps:                      |           |       |       |       |       |       |           |       |        |       |           |        |
| Back-Up; left               | 1-12F     | 1-12F | 1-12F | 1-12F | 1-12F | 1-11F | 2-13H     | 2-13H | 2-13H  | 2-13H | 2-13H     | 3-15E  |
| Back-Up; right              | 1-13F     | 1-13F | 1-13F | 1-13F | 1-13F | 1-12F | 2-14H     | 2-14H | 2-14H  | 2-14H | 2-14H     | 3-16E  |
| Blower Switch               | 1-16K     | —     | —     | —     | —     | —     | —         | —     | —      | —     | —         | —      |
| Brake Warning Indicator     | 1-9J      | 1-9J  | 1-9J  | 1-9J  | 1-9J  | 1-9J  | 2-13K     | 2-13K | 2-13K  | 2-13K | 2-13K     | 3-13J  |
| Brake Wear Indicator        | 1-9J      | 1-9J  | 1-9J  | 1-9J  | 1-9J  | 1-9J  | 2-12K     | 2-12K | 2-12K  | 2-12K | 2-12K     | 3-11J  |
| Charge Indicator            | 1-7J      | 1-7J  | 1-7J  | 1-7J  | 1-7J  | 1-7J  | 2-11K     | 2-11K | 2-11K  | 2-11K | 2-11K     | 3-9J   |
| Cigar Lighter               | 1-29E     | 1-29E | 1-29E | 1-29E | 1-29E | 1-29E | 2-9G      | 2-9G  | 2-9G   | 2-9G  | 2-9G      | 3-35H  |
| Climate Control Panel       | —         | 1-17M | 1-17M | 1-17M | 1-17M | 1-17M | 2-22H     | 2-22H | 2-22H  | 2-22H | 2-22H     | 3-21D  |
| Dome; front                 | 1-12H     | 1-12H | 1-12H | 1-12H | 1-12H | 1-12H | 2-21D     | 2-21D | 2-21D  | 2-21D | 2-21D     | 3-24C  |
| Dome; left                  | —         | —     | —     | —     | —     | —     | —         | —     | —      | —     | —         | —      |
| Dome; rear                  | 1-24D     | 1-24D | 1-24D | 1-24D | 1-24D | 1-25B | 2-24E     | 2-24E | 2-24E  | 2-24E | 2-24E     | 3-23F  |
| Dome; right                 | —         | —     | —     | —     | —     | —     | —         | —     | —      | —     | —         | —      |
| Door; left                  | —         | —     | —     | —     | —     | —     | —         | —     | —      | —     | —         | 3-24E  |
| Door; right                 | —         | —     | —     | —     | —     | —     | —         | —     | —      | —     | —         | 3-25E  |
| Fasten Seat Belt            | 1-11J     | 1-11J | 1-11J | 1-11J | 1-11J | 1-11J | 2-16K     | 2-16K | 2-16K  | 2-16K | 2-16K     | 3-11J  |
| Fog; left                   | 1-23K     | 1-23K | 1-23K | 1-23K | 1-23K | 1-23K | 2-31K     | 2-31K | 2-31K  | 2-31K | 2-31K     | 3-30L  |
| Fog; right                  | 1-23K     | 1-23K | 1-23K | 1-23K | 1-23K | 1-23K | 2-32K     | 2-32K | 2-32K  | 2-32K | 2-32K     | 3-30L  |
| Gearshift                   | 1-17F     | 1-17F | 1-17F | 1-17F | 1-17F | 1-17F | 2-27E     | 2-27E | 2-27E  | 2-27E | 2-27E     | 3-27J  |
| Glove Box                   | 1-31D     | 1-31D | 1-31D | 1-31D | 1-31D | 1-31D | 2-11F     | 2-11F | 2-11F  | 2-11F | 2-11F     | 3-36G  |
| Hazard Indicator            | 1-18H     | 1-18H | 1-18H | 1-18H | 1-18H | 1-18H | 2-18E     | 2-18E | 2-18E  | 2-18E | 2-18E     | 3-20D  |
| Headlamp; high, left        | —         | —     | —     | —     | —     | —     | 2-33K     | 2-33K | 2-33K  | 2-33K | 2-33K     | 3-31L  |
| Headlamp; high, right       | —         | —     | —     | —     | —     | —     | 2-34K     | 2-34K | 2-34K  | 2-34K | 2-34K     | 3-32L  |
| Headlamp; high/low, left    | 1-25K     | 1-25K | 1-25K | 1-25K | 1-25K | 1-25K | 2-32K     | 2-32K | 2-32K  | 2-32K | 2-32K     | 3-31L  |
| Headlamp; high/low, right   | 1-24K     | 1-24K | 1-24K | 1-24K | 1-24K | 1-24K | 2-33K     | 2-33K | 2-33K  | 2-33K | 2-33K     | 3-32L  |
| Heated Rear Window          | 5         | 5     | 5     | 5     | 5     | 5     | 5         | 5     | 5      | 5     | 5         | 5      |
| Heater Control Illumination | 1-15K     | —     | —     | —     | —     | —     | —         | —     | —      | —     | —         | —      |
| High Beam Indicator         | 1-25H     | 1-25H | 1-25H | 1-25H | 1-25H | 1-25H | 2-33H     | 2-33H | 2-33H  | 2-33H | 2-33H     | 3-32J  |
| Instrument Panel            | 1-14J     | 1-14J | 1-14J | 1-14J | 1-14J | 1-14J | 2-25K     | 2-25K | 2-25K  | 2-25K | 2-25K     | 3-35J  |
| License Plate; left         | 1-18F     | 1-18F | 1-18F | 1-18F | 1-18F | 1-20F | 2-27K     | 2-27K | 2-27K  | 2-27K | 2-27K     | 3-25L  |
| License Plate; right        | 1-19F     | 1-19F | 1-19F | 1-19F | 1-19F | 1-20F | 2-27K     | 2-27K | 2-27K  | 2-27K | 2-27K     | 3-26L  |
| Low Fuel Indicator          | 1-10J     | 1-10J | 1-10J | 1-10J | 1-10J | 1-10J | 2-14K     | 2-14K | 2-14K  | 2-14K | 2-14K     | 3-14J  |
| Marker; front, left         | —         | —     | —     | —     | —     | —     | —         | —     | —      | —     | —         | 3-27L  |
| Marker; front, right        | —         | —     | —     | —     | —     | —     | —         | —     | —      | —     | —         | 3-27L  |
| Marker; rear, left          | 1-19F     | 1-19F | 1-19F | 1-19F | 1-19F | 1-19F | 2-28K     | 2-28K | 2-28K  | 2-28K | 2-28K     | 3-25L  |
| Marker; rear, right         | 1-20F     | 1-20F | 1-20F | 1-20F | 1-20F | 1-20F | 2-29K     | 2-29K | 2-29K  | 2-29K | 2-29K     | 3-26L  |
| Parking; front, left        | 1-22K     | 1-22K | 1-22K | 1-22K | 1-22K | 1-22K | 2-31K     | 2-31K | 2-31K  | 2-31K | 2-31K     | 3-29L  |
| Parking; front, right       | 1-21K     | 1-21K | 1-21K | 1-21K | 1-21K | 1-21K | 2-29K     | 2-29K | 2-29K  | 2-29K | 2-29K     | 3-28L  |
| Preglow Indicator           | 12        | 12    | 12    | 12    | 12    | 12    | 2-17K     | 2-17K | 2-17K  | 2-17K | 2-17K     | —      |
| Reading; left               | —         | —     | —     | —     | —     | —     | 2-25E     | 2-25E | 2-25E  | 2-25E | 2-25E     | —      |
| Reading; right              | —         | —     | —     | —     | —     | —     | 2-23E     | 2-23E | 2-23E  | 2-23E | 2-23E     | —      |

COMPONENT INDEX

| COMPONENT  | MODEL 123 |         |         |         | MODEL 116 |         |       |       | MODEL 107 |       |       |        |
|--|-----------|---------|---------|---------|-----------|---------|-------|-------|-----------|-------|-------|--------|
|  | 240D      | 280E    | 280CE   | 300D    | 300CD     | 300TD   | 280SE | 300SD | 450SEL    | 6.9   | 450SL | 450SLC |
| <b>Lamps (con't):</b>                            |           |         |         |         |           |         |       |       |           |       |       |        |
| Seat Heater; front, left                         | 9         | 9       | 9       | 9       | 9         | 9       | 9     | 9     | 9         | 9     | 9     | 9      |
| Seat Heater; front, right                        | 9         | 9       | 9       | 9       | 9         | 9       | 9     | 9     | 9         | 9     | 9     | 9      |
| Seat Heater; rear, left                          | -         | -       | -       | -       | -         | -       | 9     | 9     | 9         | 9     | -     | -      |
| Seat Heater; rear, right                         | -         | -       | -       | -       | -         | -       | 9     | 9     | 9         | 9     | -     | -      |
| Stop; left                                       | 1-14F     | 1-14F   | 1-14F   | 1-14F   | 1-14F     | 1-14F   | 2-12H | 2-12H | 2-12H     | 2-12H | 3-16E | 3-16E  |
| Stop; right                                      | 1-15F     | 1-15F   | 1-15F   | 1-15F   | 1-15F     | 1-15F   | 2-12H | 2-12H | 2-12H     | 2-12H | 3-17E | 3-17E  |
| Suspension Warning Indicator                     | -         | -       | -       | -       | -         | -       | -     | -     | -         | -     | -     | -      |
| Tail; left                                       | 1-22K     | 1-22K   | 1-22K   | 1-22K   | 1-22K     | 1-22K   | 2-30K | 2-30K | 2-30K     | 2-30K | 3-29L | 3-29L  |
| Tail; right                                      | 1-21K     | 1-21K   | 1-21K   | 1-21K   | 1-21K     | 1-21K   | 2-30K | 2-30K | 2-30K     | 2-30K | 3-28L | 3-28L  |
| Temperature Vacuum Switch                        | 1-18F     | -       | -       | -       | -         | -       | -     | -     | -         | -     | -     | -      |
| Trunk  | 1-19C     | 1-19C   | 1-19C   | 1-19C   | 1-19C     | 1-19C   | 2-25E | 2-25E | 2-25E     | 2-25E | 3-22E | 3-22E  |
| Turn Signal Indicator; left                      | 1-18K     | 1-18K   | 1-18K   | 1-18K   | 1-18K     | 1-18K   | 2-18K | 2-18K | 2-18K     | 2-18K | 3-19J | 3-19J  |
| Turn Signal Indicator; right                     | 1-18K     | 1-18K   | 1-18K   | 1-18K   | 1-18K     | 1-18K   | 2-18K | 2-18K | 2-18K     | 2-18K | 3-22J | 3-22J  |
| Turn Signal; front, left                         | 1-17K     | 1-17K   | 1-17K   | 1-17K   | 1-17K     | 1-17K   | 2-17G | 2-17G | 2-17G     | 2-17G | 3-19H | 3-19H  |
| Turn Signal; front, right                        | 1-19K     | 1-19K   | 1-19K   | 1-19K   | 1-19K     | 1-19K   | 2-18G | 2-18G | 2-18G     | 2-18G | 3-21H | 3-21H  |
| Turn Signal; rear, left                          | 1-18K     | 1-18K   | 1-18K   | 1-18K   | 1-18K     | 1-18K   | 2-17G | 2-17G | 2-17G     | 2-17G | 3-20H | 3-20H  |
| Turn Signal; rear, right                         | 1-19K     | 1-19K   | 1-19K   | 1-19K   | 1-19K     | 1-19K   | 2-17G | 2-17G | 2-17G     | 2-17G | 3-20H | 3-20H  |
| <b>Motors:</b>                                   |           |         |         |         |           |         |       |       |           |       |       |        |
| Antenna  | 7         | 7       | 7       | 7       | 7         | 7       | 7     | 7     | 7         | 7     | 7     | 7      |
| Auxiliary Fan                                    | 11        | 4       | 4       | 4       | 4         | 4       | 4     | 4     | 4         | 4     | 4     | 4      |
| Auxiliary Water Pump                             | -         | 4       | 4       | 4       | 4         | 4       | 4     | 4     | 4         | 4     | 4     | 4      |
| Blower   | 11        | 4       | 4       | 4       | 4         | 4       | 4     | 4     | 4         | 4     | 4     | 4      |
| Fuel Pump  | -         | 13      | 13      | -       | -         | -       | 2-7E  | -     | 2-7E      | 2-7E  | 3-5B  | 3-5B   |
| Servo Assembly                                   | -         | 4       | 4       | 4       | 4         | 4       | 4     | 4     | 4         | 4     | 4     | 4      |
| Sliding Roof                                     | 10        | 10      | 10      | 10      | 10        | 10      | 10    | 10    | 10        | 10    | 10    | 10     |
| Starter  | 1-4C,12   | 1-4C,13 | 1-4C,13 | 1-4C,12 | 1-4C,12   | 1-4C,12 | 2-4C  | 2-4C  | 2-4C      | 2-4C  | 3-4C  | 3-4C   |
| Washer Pump; rear door                           | -         | -       | -       | -       | -         | 1-29J   | -     | -     | -         | -     | -     | -      |
| Window; front, left                              | 8         | 8       | 8       | 8       | 8         | 8       | 8     | 8     | 8         | 8     | 8     | 8      |
| Window; front, right                             | 8         | 8       | 8       | 8       | 8         | 8       | 8     | 8     | 8         | 8     | 8     | 8      |
| Window; rear, left                               | 8         | 8       | 8       | 8       | 8         | 8       | 8     | 8     | 8         | 8     | 8     | 8      |
| Window; rear, right                              | 8         | 8       | 8       | 8       | 8         | 8       | 8     | 8     | 8         | 8     | 8     | 8      |
| Windshield Washer                                | 1-27G     | 1-27G   | 1-27G   | 1-27G   | 1-27G     | 1-27G   | 2-36G | 2-36G | 2-36G     | 2-36G | 3-34G | 3-34G  |
| Windshield Wiper                                 | 1-25K     | 1-25K   | 1-25K   | 1-25K   | 1-25K     | 1-25K   | 2-34J | 2-34J | 2-34J     | 2-34J | 3-33L | 3-33L  |
| Wiper; rear door                                 | -         | -       | -       | -       | -         | 1-29L   | -     | -     | -         | -     | -     | -      |
| <b>Overload Protection Device Switching Unit</b> | -         | -       | -       | -       | -         | -       | -     | -     | -         | -     | -     | -      |
| <b>Preglow Indicator Temperature Sender</b>      | -         | -       | -       | -       | -         | -       | -     | 14    | -         | -     | -     | -      |

COMPONENT INDEX

| COMPONENT                             | MODEL 123 |       |       |       |       | MODEL 116 |           |           |           |           | MODEL 107 |           |
|---------------------------------------|-----------|-------|-------|-------|-------|-----------|-----------|-----------|-----------|-----------|-----------|-----------|
|                                       | 240D      | 280E  | 280CE | 300D  | 300CD | 300TD     | 280SE     | 300SD     | 450SEL    | 6.9       | 450SL     | 450SLC    |
| Radio                                 | 1-30E     | 5     | 1-30E | 5     | 1-30E | 5         | 1-30E     | 5         | 2-10G     | 2-10G     | 2-10G     | 3-36H     |
| Rear Window Heater                    | 11        | -     | -     | -     | -     | -         | -         | -         | -         | -         | -         | 3-11E     |
| Relays ( <i>Solenoids/Vabes</i> ):    |           |       |       |       |       |           |           |           |           |           |           |           |
| A/C I                                 | 11        | -     | -     | -     | -     | -         | -         | -         | -         | -         | -         | -         |
| A/C II                                | 11        | -     | -     | -     | -     | -         | -         | -         | -         | -         | -         | -         |
| A/C Compressor Clutch                 | 11        | 4     | 4     | 4     | 4     | 4         | 4         | 4         | 4         | 4         | 4         | 4         |
| A/C Starter                           | 12        | 13    | 13    | 12    | 12    | 12        | 2-6C      | 2-6C      | 2-6C      | 2-6C      | 3-8C      | 3-8C      |
| Antenna                               | 7         | 7     | 7     | 7     | 7     | 7         | 7         | 7         | 7         | 7         | 7         | 7         |
| Automatic Transmission Solenoid Valve | 1-13F     | 1-13F | 1-13F | 1-13F | 1-13F | 1-13F     | 2-14H     | 2-14H     | 2-14H     | 2-14H     | 3-15E     | 3-15E     |
| Auxiliary Fan                         | 11        | 4     | 4     | 4     | 4     | 4         | 4         | 4         | 4         | 4         | 4         | 4         |
| Auxiliary Fan Control                 | -         | 4     | 4     | -     | -     | -         | 4         | 4         | 4         | 4         | 4         | 4         |
| Bi-Level Flap Valve                   | -         | 4     | 4     | 4     | 4     | 4         | 4         | 4         | 4         | 4         | 4         | 4         |
| Changeover Valve                      | -         | 4     | 4     | -     | -     | -         | 4         | 4         | 4         | 4         | 4         | 4         |
| Cold Start Valve                      | -         | 13    | 13    | -     | -     | -         | 2-4E      | 2-4E      | 2-4E      | 2-4E      | -         | -         |
| Cruise Control Actuator               | 6         | 6     | 6     | 6     | 6     | 6         | 6         | 6         | 6         | 6         | 6         | 6         |
| Defrost                               | -         | 4     | 4     | 4     | 4     | 4         | 4         | 4         | 4         | 4         | 4         | 4         |
| Delay; Rear Window Heater             | 5         | 5     | 5     | 5     | 5     | 5         | 5         | 5         | 5         | 5         | 3-11C     | 3-11C     |
| Dome Lamp Delay                       | -         | -     | -     | -     | -     | -         | -         | -         | -         | -         | -         | -         |
| Footwell Flap Valve                   | -         | 4     | 4     | 4     | 4     | 4         | 4         | 4         | 4         | 4         | 4         | 4         |
| Fresh Recirculating Air Flap Valve    | -         | 4     | 4     | 4     | 4     | 4         | 4         | 4         | 4         | 4         | 4         | 4         |
| Fuel Pump                             | -         | 13    | 13    | -     | -     | -         | 2-7D      | 2-7D      | 2-7D      | 2-7D      | 3-5A      | 3-5A      |
| Ignition Changeover Valve             | -         | 4     | 4     | -     | -     | -         | 4         | 4         | 4         | 4         | 4         | 4         |
| Switchover Valve                      | -         | 4     | 4     | -     | -     | -         | -         | -         | -         | -         | -         | -         |
| Thermal Time Switch                   | -         | 13    | 13    | -     | -     | -         | 2-6E      | 2-6E      | 2-6E      | 2-6E      | -         | -         |
| Window                                | 8         | 8     | 8     | 8     | 8     | 8         | 8         | 8         | 8         | 8         | 8         | 8         |
| Resistors:                            |           |       |       |       |       |           |           |           |           |           |           |           |
| Ambient Temperature Sensor            | -         | 4     | 4     | 4     | 4     | 4         | 4         | 4         | 4         | 4         | 4         | 4         |
| Ballast; .4Ω                          | -         | 13    | 13    | -     | -     | -         | 2-4F      | 2-4F      | 2-4F      | 2-4F      | 3-5F      | 3-5F      |
| Ballast; .6Ω                          | -         | 13    | 13    | -     | -     | -         | 2-4G      | 2-4G      | 2-4G      | 2-4G      | 3-5G      | 3-5G      |
| Blower                                | 11        | 4     | 4     | 4     | 4     | 4         | 4         | 4         | 4         | 4         | 4         | 4         |
| Engine Temperature Sensor             | 12        | -     | -     | 12    | 12    | 12        | -         | -         | -         | -         | -         | -         |
| Glow Plug                             | 12        | -     | -     | 12    | 12    | 12        | -         | -         | -         | -         | -         | -         |
| In-Car Temperature Sensor             | -         | 4     | 4     | 4     | 4     | 4         | 4         | 4         | 4         | 4         | 4         | 4         |
| Instrument Panel Lamp Rheostat        | 1-14J     | 1-14J | 1-14J | 1-14J | 1-14J | 1-14J     | 2-25K     | 2-25K     | 2-25K     | 2-25K     | 3-25J     | 3-25J     |
| Preglow Indicator Temperature Sender  | -         | -     | -     | -     | -     | -         | -         | 14        | -         | -         | -         | -         |
| Seat Belt Warning Unit                | 1-9G      | 1-9G  | 1-9G  | 1-9G  | 1-9G  | 1-9G      | 2-11L,16E | 2-11L,16E | 2-11L,16E | 2-11L,16E | 3-10K,14D | 3-10K,14D |
| Seat Heater; front, left              | 9         | 9     | 9     | 9     | 9     | 9         | 9         | 9         | 9         | 9         | 9         | 9         |
| Seat Heater; front, right             | 9         | 9     | 9     | 9     | 9     | 9         | 9         | 9         | 9         | 9         | 9         | 9         |
| Seat Heater; rear, left               | -         | -     | -     | -     | -     | -         | 9         | 9         | 9         | 9         | -         | -         |
| Seat Heater; rear, right              | -         | -     | -     | -     | -     | -         | 9         | 9         | 9         | 9         | -         | -         |

COMPONENT INDEX

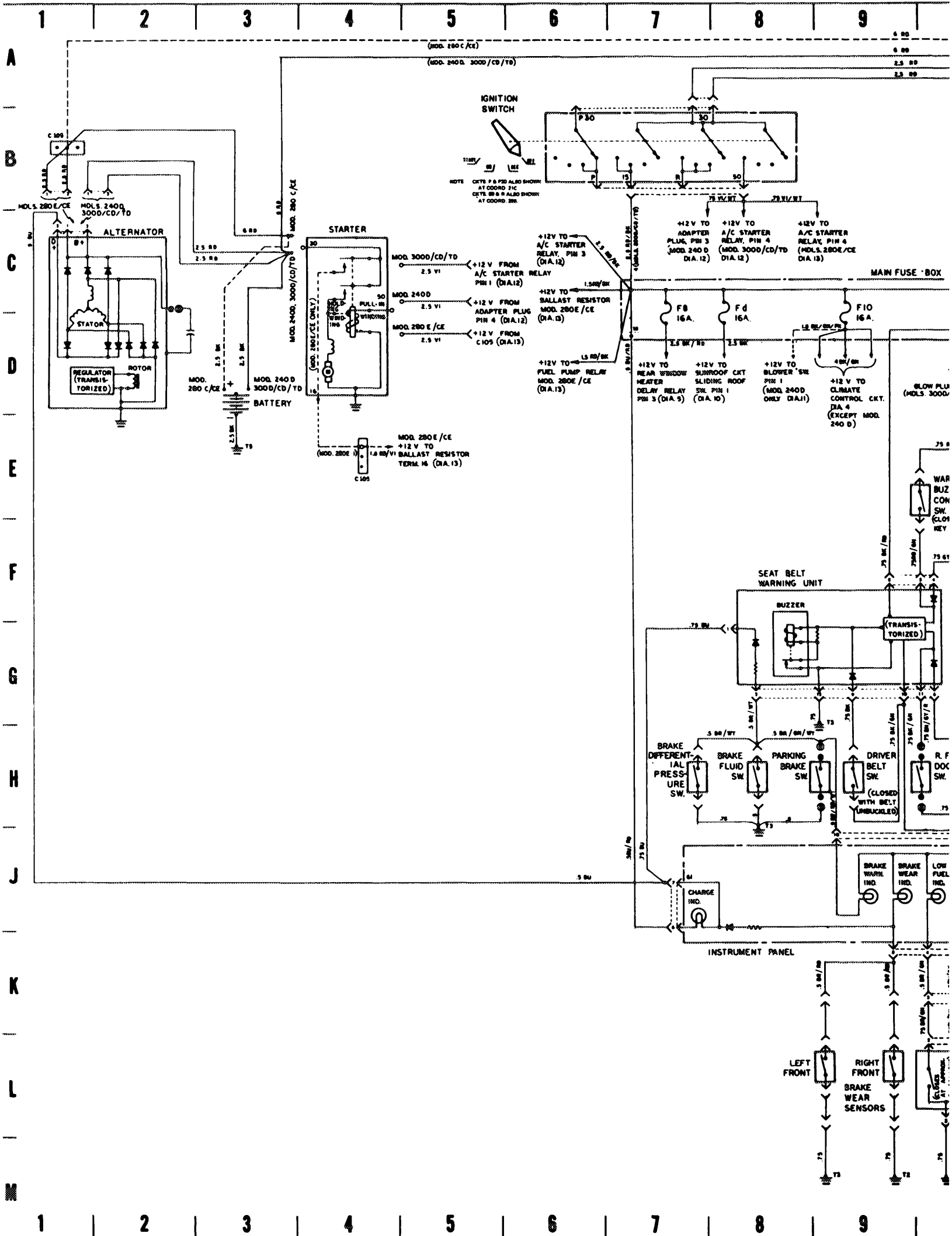
| COMPONENT                           | MODEL 123     |               |               |               | MODEL 116     |               |           |           | MODEL 107 |           |               |               |
|-------------------------------------|---------------|---------------|---------------|---------------|---------------|---------------|-----------|-----------|-----------|-----------|---------------|---------------|
|                                     | 240D          | 280E          | 280CE         | 300D          | 300CD         | 300TD         | 280SE     | 300SD     | 450SEL    | 6.9       | 450SL         | 450SLC        |
| Speed Sensor                        | 6             | 6             | 6             | 6             | 6             | 6             | 6         | 6         | 6         | 6         | 6             | 6             |
| Servo Assembly                      | -             | 4             | 4             | 4             | 4             | 4             | 4         | 4         | 4         | 4         | 4             | 4             |
| Spark Plugs                         | -             | 13            | 13            | -             | -             | -             | 2-4K      | -         | 2-6K      | 2-6K      | 3-5K          | 3-5K          |
| Starter                             | 1-4C,12       | 1-4C,13       | 1-4C,13       | 1-4C,12       | 1-4C,12       | 1-4C,12       | 2-4C      | 2-4C      | 2-4C      | 2-4C      | 3-4C          | 3-4C          |
| Switches:                           |               |               |               |               |               |               |           |           |           |           |               |               |
| Antenna Control                     | 7             | 7             | 7             | 7             | 7             | 7             | 7         | 7         | 7         | 7         | 7             | 7             |
| Back-Up Lamp/Starter Lockout        | 1-12D         | 1-12D         | 1-12D         | 1-12D         | 1-12D         | 1-12D         | 2-13G     | 2-13G     | 2-13G     | 2-13G     | 3-16C         | 3-16C         |
| 8i-Level Vacuum                     | -             | 4             | 4             | 4             | 4             | 4             | 4         | 4         | 4         | 4         | 4             | 4             |
| Blower Master Vacuum                | -             | 4             | 4             | 4             | 4             | 4             | 4         | 4         | 4         | 4         | 4             | 4             |
| Blower Motor                        | 11            | -             | -             | -             | -             | -             | -         | -         | -         | -         | -             | -             |
| Brake Differential Pressure         | 1-7H          | 1-7H          | 1-7H          | 1-7H          | 1-7H          | 1-7H          | 2-9M      | 2-9M      | 2-9M      | 2-9M      | 3-12L         | 3-12L         |
| Brake Fluid                         | 1-8H          | 1-8H          | 1-8H          | 1-8H          | 1-8H          | 1-8H          | 2-10M     | 2-10M     | 2-10M     | 2-10M     | 3-12L         | 3-12L         |
| Brake Pad Wear Sensor; front, left  | 1-9L          | 1-9L          | 1-9L          | 1-9L          | 1-9L          | 1-9L          | 2-12M     | 2-12M     | 2-12M     | 2-12M     | 3-11L         | 3-11L         |
| Brake Pad Wear Sensor; front, right | 1-9L          | 1-9L          | 1-9L          | 1-9L          | 1-9L          | 1-9L          | 2-12M     | 2-12M     | 2-12M     | 2-12M     | 3-11L         | 3-11L         |
| Climate Control Unit                | -             | 4             | 4             | 4             | 4             | 4             | 4         | 4         | 4         | 4         | 4             | 4             |
| Combination                         | 1-11E,19J,25F | 1-11E,19J,25F | 1-11E,19J,25F | 1-11E,19J,25F | 1-11E,19J,25F | 1-11E,19J,25F | 2-19F,34E | 2-19F,34E | 2-19F,34E | 2-19F,34E | 3-20E,22C,32E | 3-20E,22C,32E |
| Compressor                          | -             | 4             | 4             | 4             | 4             | 4             | 4         | 4         | 4         | 4         | 4             | 4             |
| Compressor Low Pressure             | -             | 4             | 4             | 4             | 4             | 4             | 4         | 4         | 4         | 4         | 4             | 4             |
| Compressor On/Off                   | -             | 4             | 4             | 4             | 4             | 4             | 4         | 4         | 4         | 4         | 4             | 4             |
| Compressor Vacuum                   | -             | 4             | 4             | 4             | 4             | 4             | 4         | 4         | 4         | 4         | 4             | 4             |
| Cruise Control                      | 6             | 6             | 6             | 6             | 6             | 6             | 6         | 6         | 6         | 6         | 6             | 6             |
| Dimmer (Combination Switch)         | 1-23F         | 1-23F         | 1-23F         | 1-23F         | 1-23F         | 1-23F         | 2-32E     | 2-32E     | 2-32E     | 2-32E     | 3-30E         | 3-30E         |
| Dome Lamp; front                    | 1-12H         | 1-12H         | 1-12H         | 1-12H         | 1-12H         | 1-12H         | 2-21D     | 2-21D     | 2-21D     | 2-21D     | 3-27D         | 3-24C         |
| Dome Lamp; rear                     | 1-24C         | 1-24C         | 1-24C         | 1-24C         | 1-24C         | 1-24C         | 2-24C     | 2-24C     | 2-24C     | 2-24C     | -             | 3-23E         |
| Door; front, left                   | 1-10H         | 1-10H         | 1-10H         | 1-10H         | 1-10H         | 1-10H         | 2-16G     | 2-16G     | 2-16G     | 2-16G     | 3-24F         | 3-24F         |
| Door; front, right                  | 1-9H          | 1-9H          | 1-9H          | 1-9H          | 1-9H          | 1-9H          | 2-22F     | 2-22F     | 2-22F     | 2-22F     | 3-25F         | 3-25F         |
| Door; rear                          | -             | -             | -             | -             | -             | -             | -         | -         | -         | -         | -             | -             |
| Door; rear, left                    | 1-23C         | 1-23C         | 1-23C         | 1-23C         | 1-23C         | 1-23C         | 2-24C     | 2-24C     | 2-24C     | 2-24C     | -             | -             |
| Door; rear, right                   | 1-24C         | 1-24C         | 1-24C         | 1-24C         | 1-24C         | 1-24C         | 2-25C     | 2-25C     | 2-25C     | 2-25C     | -             | -             |
| Drier Temperature                   | -             | -             | -             | 4             | 4             | 4             | -         | 4         | -         | -         | -             | -             |
| Driver Belt                         | 1-9H          | 1-9H          | 1-9H          | 1-9H          | 1-9H          | 1-9H          | 2-17D     | 2-17D     | 2-17D     | 2-17D     | 3-14E         | 3-14E         |
| Electric Window; console, left      | 8             | 8             | 8             | 8             | 8             | 8             | 8         | 8         | 8         | 8         | 8             | 8             |
| Electric Window; console, right     | 8             | 8             | 8             | 8             | 8             | 8             | 8         | 8         | 8         | 8         | 8             | 8             |
| Electric Window; rear, left         | 8             | 8             | 8             | 8             | 8             | 8             | 8         | 8         | 8         | 8         | 8             | 8             |
| Electric Window; rear, right        | 8             | 8             | 8             | 8             | 8             | 8             | 8         | 8         | 8         | 8         | 8             | 8             |
| Engine Temperature                  | 11            | 4             | 4             | 4             | 4             | 4             | 4         | 4         | 4         | 4         | 4             | 4             |
| Evaporating Icing                   | -             | 4             | 4             | 4             | 4             | 4             | 4         | 4         | 4         | 4         | 4             | 4             |
| Fog (Light Switch Assembly)         | 1-23J         | 1-23J         | 1-23J         | 1-23J         | 1-23J         | 1-23J         | 2-31H     | 2-31H     | 2-31H     | 2-31H     | 3-30J         | 3-30J         |
| Glove Box Lamp                      | 1-31F         | 1-31F         | 1-31F         | 1-31F         | 1-31F         | 1-31F         | 2-11H     | 2-11H     | 2-11H     | 2-11H     | 3-36H         | 3-36H         |

COMPONENT INDEX

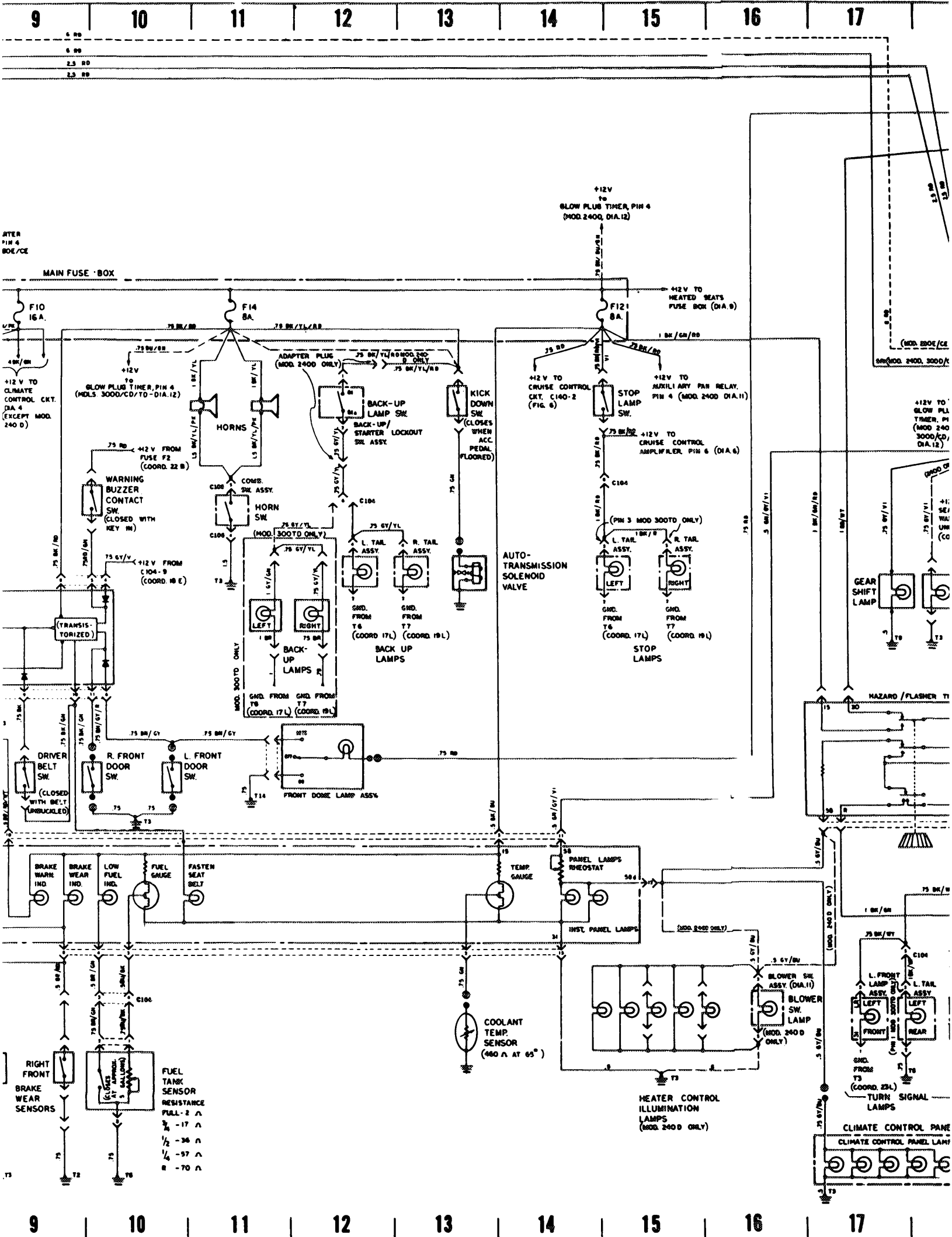
| COMPONENT                                   | MODEL 123                 |                           |                           |                           |                           |                           | MODEL 116                 |                           |                           |                           | MODEL 107         |                   |
|---|---------------------------|---------------------------|---------------------------|---------------------------|---------------------------|---------------------------|---------------------------|---------------------------|---------------------------|---------------------------|-------------------|-------------------|
|   | 240D                      | 280E                      | 280CE                     | 300D                      | 300CD                     | 300TD                     | 280SE                     | 300SD                     | 450SEL                    | 6.9                       | 450SL             | 450SLC            |
| Switches (cont):                            |                           |                           |                           |                           |                           |                           |                           |                           |                           |                           |                   |                   |
| Hazard/Flasher                              | 1-17H                     | 1-17H                     | 1-17H                     | 1-17H                     | 1-17H                     | 1-17H                     | -                         | -                         | -                         | -                         | 3-20D             | 3-20D             |
| Hazard Warning                              | -                         | -                         | -                         | -                         | -                         | -                         | 2-18E                     | 2-18E                     | 2-18E                     | 2-18E                     | -                 | -                 |
| Heated Rear Window                          | 5                         | 5                         | 5                         | 5                         | 5                         | 5                         | 5                         | 5                         | 5                         | 5                         | 3-11C             | 3-11C             |
| Horn (Combination Switch Assembly)          | 1-11E<br>1-7B,21C,<br>28B | 1-11E<br>1-7B,21C,<br>28B | 1-11E<br>1-7B,21C,<br>28B | 1-11E<br>1-7B,21C,<br>28B | 1-11E<br>1-7B,21C,<br>28B | 1-11E<br>1-7B,21C,<br>28B | 2-36E<br>2-7B,10E,<br>30C | 2-36E<br>2-7B,10E,<br>30C | 2-36E<br>2-7B,10E,<br>30C | 2-36E<br>2-7B,10E,<br>30C | 3-22C             | 3-22C             |
| Ignition                                    | -                         | -                         | -                         | -                         | -                         | -                         | -                         | -                         | -                         | -                         | 3-9B,27B,         | 3-9B,27B,         |
| Intake Manifold Pressure                    | 1-13D                     | 1-13D                     | 1-13D                     | 1-13D                     | 1-13D                     | 1-13D                     | 2-14G                     | 2-14G                     | 2-14G                     | 2-14G                     | 3-15D             | 3-15D             |
| Kickdown                                    | -                         | -                         | -                         | -                         | -                         | -                         | -                         | -                         | -                         | -                         | -                 | -                 |
| Level Control                               | 1-21D,23J                 | 1-21D,23J                 | 1-21D,23J                 | 1-21D,23J                 | 1-21D,23J                 | 1-21D,23J                 | 2-30D,31H                 | 2-30D,31H                 | 2-30D,31H                 | 2-30D,31H                 | 3-26H,28C,<br>30J | 3-26H,28C,<br>30J |
| Light                                       | 1-8H                      | 1-8H                      | 1-8H                      | 1-8H                      | 1-8H                      | 1-8H                      | 2-10M                     | 2-10M                     | 2-10M                     | 2-10M                     | 3-13L             | 3-13L             |
| Parking Brake                               | -                         | -                         | -                         | -                         | -                         | -                         | -                         | -                         | -                         | -                         | -                 | -                 |
| Reading Lamp; left                          | -                         | -                         | -                         | -                         | -                         | -                         | 2-25E                     | 2-25E                     | 2-25E                     | 2-25E                     | -                 | -                 |
| Reading Lamp; right                         | -                         | -                         | -                         | -                         | -                         | -                         | 2-23E                     | 2-23E                     | 2-23E                     | 2-23E                     | -                 | -                 |
| Receiver Drier Temperature                  | 11                        | -                         | -                         | -                         | -                         | -                         | -                         | -                         | -                         | -                         | -                 | -                 |
| Refrigerant Loss                            | 11                        | -                         | -                         | -                         | -                         | -                         | -                         | -                         | -                         | -                         | -                 | -                 |
| Refrigerant Temperature                     | -                         | 4                         | -                         | 4                         | -                         | -                         | 4                         | -                         | 4                         | 4                         | 4                 | 4                 |
| Seat Heater Control; front, left            | 9                         | 9                         | 9                         | 9                         | 9                         | 9                         | 9                         | 9                         | 9                         | 9                         | 9                 | 9                 |
| Seat Heater Control; front, right           | 9                         | 9                         | 9                         | 9                         | 9                         | 9                         | 9                         | 9                         | 9                         | 9                         | 9                 | 9                 |
| Seat Heater Control; rear, left             | -                         | -                         | -                         | -                         | -                         | -                         | -                         | -                         | -                         | -                         | -                 | -                 |
| Seat Heater Control; rear, right            | -                         | -                         | -                         | -                         | -                         | -                         | -                         | -                         | -                         | -                         | -                 | -                 |
| Sensor Plate Safety                         | -                         | 13                        | 13                        | -                         | -                         | -                         | 2-8E                      | -                         | 2-8E                      | 2-8E                      | 3-6B              | 3-6B              |
| Sliding Roof                                | 10                        | 10                        | 10                        | 10                        | 10                        | 10                        | 10                        | 10                        | 10                        | 10                        | -                 | 10                |
| Starter Lockout/(Back-Up Lamp)              | 12                        | 13                        | 13                        | 12                        | 12                        | 12                        | 2-6D                      | 2-6D                      | 2-6D                      | 2-6D                      | 3-8C              | 3-8C              |
| Stop Lamp                                   | 1-14D                     | 1-14D                     | 1-14D                     | 1-14D                     | 1-14D                     | 1-14D                     | 2-12G                     | 2-12G                     | 2-12G                     | 2-12G                     | 3-17C             | 3-17C             |
| Suspension Pressure Sensor                  | -                         | -                         | -                         | -                         | -                         | -                         | -                         | -                         | -                         | -                         | -                 | -                 |
| Temperature Vacuum                          | 11                        | -                         | -                         | -                         | -                         | -                         | -                         | -                         | -                         | -                         | -                 | -                 |
| Thermal Time                                | 12                        | 13                        | 13                        | 12                        | 12                        | 12                        | -                         | -                         | -                         | -                         | -                 | -                 |
| Transmission Pressure                       | -                         | -                         | -                         | -                         | -                         | -                         | -                         | -                         | -                         | -                         | -                 | -                 |
| Trunk Lamp                                  | 1-19C                     | 1-19C                     | 1-19C                     | 1-19C                     | 1-19C                     | 1-19C                     | 2-13E                     | -                         | 2-13E                     | -                         | 3-8E              | 3-8E              |
| Turn Signal (Combination Switch Assembly)   | 1-19J                     | 1-19J                     | 1-19J                     | 1-19J                     | 1-19J                     | 1-19J                     | 2-25E                     | 2-25E                     | 2-25E                     | 2-25E                     | 3-22E             | 3-22E             |
| Warning Buzzer Contact                      | 1-9E                      | 1-9E                      | 1-9E                      | 1-9E                      | 1-9E                      | 1-9E                      | 2-19F                     | 2-19F                     | 2-19F                     | 2-19F                     | 3-20E             | 3-20E             |
| Washer (Combination Switch Assembly)        | 1-27F                     | 1-27F                     | 1-27F                     | 1-27F                     | 1-27F                     | 1-27F                     | 2-16C                     | 2-16C                     | 2-16C                     | 2-16C                     | 3-13B             | 3-13B             |
| Water Pump Temperature                      | -                         | 4                         | 4                         | 4                         | 4                         | 4                         | 4                         | 4                         | 4                         | 4                         | 4                 | 4                 |
| Windshield Wiper (Combination Sw. Assembly) | 1-26F                     | 1-26F                     | 1-26F                     | 1-26F                     | 1-26F                     | 1-26F                     | 2-35E                     | 2-35E                     | 2-35E                     | 2-35E                     | 3-33E             | 3-33E             |
| Wiper/Washer; rear door                     | -                         | -                         | -                         | -                         | -                         | -                         | -                         | -                         | -                         | -                         | -                 | -                 |
| Tachometer                                  | -                         | -                         | -                         | -                         | -                         | -                         | 2-15K                     | 2-15K                     | 2-15K                     | 2-15K                     | 3-18J             | 3-18J             |
| TDC Sensor                                  | -                         | 13                        | 13                        | -                         | -                         | -                         | 2-5H                      | 2-5H                      | 2-5H                      | 2-5H                      | 3-6H              | 3-6H              |
| TDC Sensor Adapter                          | -                         | -                         | -                         | -                         | -                         | -                         | -                         | -                         | -                         | -                         | -                 | -                 |
| Temperature Gauge                           | 1-14J                     | 1-14J                     | 1-14J                     | 1-14J                     | 1-14J                     | 1-14J                     | 2-15K                     | 2-15K                     | 2-15K                     | 2-15K                     | 3-13J             | 3-13J             |
| Thermal Time Switch                         | -                         | 13                        | 13                        | -                         | -                         | -                         | 2-6E                      | -                         | 2-6E                      | 2-6E                      | -                 | -                 |
| Transistorized Ignition Switching Unit      | -                         | 13                        | 13                        | -                         | -                         | -                         | 2-6F                      | -                         | 2-6F                      | 2-6F                      | 3-7F              | 3-7F              |

| GROUND TERM. NO.                        | COMPONENT                          | FIG. NO. LOCATION | CAR LOCATION    |
|---|------------------------------------|-------------------|-----------------|
| T1                                      | A/C Compressor Clutch              | 4                 | Under hood;     |
|   | Fog Lamp; left                     | 3-30M             | left top front. |
|   | Headlamp; high, left               | 3-31M             |                 |
|   | Headlamp; high/low, left           | 3-31M             |                 |
|   | Marker Lamp; left front            | 3-31M             |                 |
|   | Parking Lamp; left front           | 3-31M             |                 |
|   | Refrigerant Temperature Switch     | 4                 |                 |
|   | Turn Signal Lamp; left front       | 3-19H             |                 |
|   | Auxiliary Fan Motor                | 4                 | Under hood;     |
|   | Auxiliary Water Pump               | 4                 | right top       |
|   | Blower Motor                       | 4                 | front.          |
|   | Fog Lamp; right                    | 3-30M             |                 |
|   | Footwell Flap Valve                | 4                 |                 |
| Headlamp; high, right                   | 3-32M                              |                   |                 |
| Headlamp; high/low; right               | 3-32M                              |                   |                 |
| Heating Coil                            | 3-5C                               |                   |                 |
| Marker Lamp; right front                | 3-32M                              |                   |                 |
| Parking Lamp; right front               | 3-32M                              |                   |                 |
| Servo Assembly                          | 4                                  |                   |                 |
| Turn Signal Lamp; right front           | 3-21H                              |                   |                 |
| Windshield Washer Motor                 | 3-34G                              |                   |                 |
| T3                                      | Auxiliary Fan Control Relay        | 4                 | Inside car,     |
|   | Bi-Level Flap Valve                | 4                 | behind dash;    |
|   | Brake Fluid Level Switch           | 3-12L             | left of         |
|   | Brake Wear Sensor; left            | 3-11M             | steering        |
|   | Brake Wear Sensor; right           | 3-11M             | column.         |
|   | Cigar Lighter Assembly             | 3-35K             |                 |
|   | Climate Control Amplifier          | 4                 |                 |
|   | Console Switch Assembly; left      | 8                 |                 |
|   | Console Switch Assembly; right     | 8                 |                 |
|   | Cruise Control Amplifier           | 6                 |                 |
|   | Defrost Relay                      | 4                 |                 |
|   | Delay Relay                        | 3-12D             |                 |
|   | Dome Lamp; front (Mod. 450SLC)     | 3-24D             |                 |
|   | Door Switch; left                  | 3-24G             |                 |
|   | Door Switch; right                 | 3-25G             |                 |
|   | Fresh Recirculating Air Flap Valve | 4                 |                 |
|   | Glove Box Lamp Switch              | 3-35K             |                 |
|   | Hazard/Flasher Timer Assembly      | 3-19E             |                 |
|   | Horn Switch                        | 3-22D             |                 |
|   | Ignition Changeover Valve          | 4                 |                 |
|   | Instrument Panel                   | 3-21K             |                 |
| Interval Wiper Control                  | 3-34J                              |                   |                 |
| Panel Lamps, Climate Control            | 3-21E                              |                   |                 |
| Parking Brake Switch                    | 3-13L                              |                   |                 |
| Rear Window Heater Switch (Mod. 450SLC) | 3-12D                              |                   |                 |

| GROUND TERM. NO.             | COMPONENT                         | FIG. NO. LOCATION | CAR LOCATION   |
|------------------------------|-----------------------------------|-------------------|----------------|
| T3 (cont)                    | Seat Heater Controls              | 9                 |                |
|                              | Sensor Plate Safety Switch        | 3-6C              |                |
|                              | Sliding Roof Switch (Mod. 450SLC) | 10                |                |
|                              | Starter Lockout Switch            | 3-8D              |                |
|                              | Warning Device, Seat Belt         | 3-14E             |                |
|                              | Window Relay                      | 8                 |                |
|                              | Windshield Wiper Motor            | 3-32M             |                |
|                              | Gear Shift Lamp                   | 3-27J             | Inside car,    |
| Radio                        | 3-37J                             | in center         |                |
|                              |                                   |                   | console.       |
| T5                           | Battery                           | 3-3D              | Inside trunk   |
|                              |                                   |                   | right side, on |
|                              |                                   |                   | trunk floor.   |
| T6                           | Antenna Motor & Relay Assembly    | 7                 | Inside trunk   |
|                              | Back-Up Lamp; left                | 3-15E             | left rear;     |
|                              | Marker Lamp; left rear            | 3-25M             | below tail     |
|                              | Stop Lamp; left                   | 3-16E             | lamp assy.     |
|                              | Tail Lamp; left                   | 3-25M             |                |
|                              | Turn Signal Lamp; left rear       | 3-19H             |                |
|                              | Back-Up Lamp; right               | 3-16E             | Inside         |
| Fuel Pump                    | 3-5C                              | trunk,            |                |
| Marker Lamp; right rear      | 3-26M                             | right side,       |                |
| Rear Window Heater           | 3-11E                             | behind            |                |
| Stop Lamp; right             | 3-17E                             | fuel tank         |                |
| Tail Lamp; right             | 3-26M                             | bulkhead.         |                |
| Turn Signal Lamp; right rear | 3-20H                             |                   |                |
| T13                          | Diagnostic Plug, pin 2            | 3-5G              | Under hood     |
|                              |                                   |                   | on Ignition    |
|                              |                                   |                   | Coil bracket   |







ATER  
714 4  
80E/CE

MAIN FUSE BOX

(MOD. 2400, 3000/CE)

(MOD. 2400, 3000/CE)

(MOD. 2400, 3000/CE)

(MOD. 2400, 3000/CE)

(MOD. 2400, 3000/CE)

(MOD. 2400, 3000/CE)

(MOD. 2400, 3000/CE)

(MOD. 2400, 3000/CE)

(MOD. 2400, 3000/CE)

(MOD. 2400, 3000/CE)

(MOD. 2400, 3000/CE)

(MOD. 2400, 3000/CE)

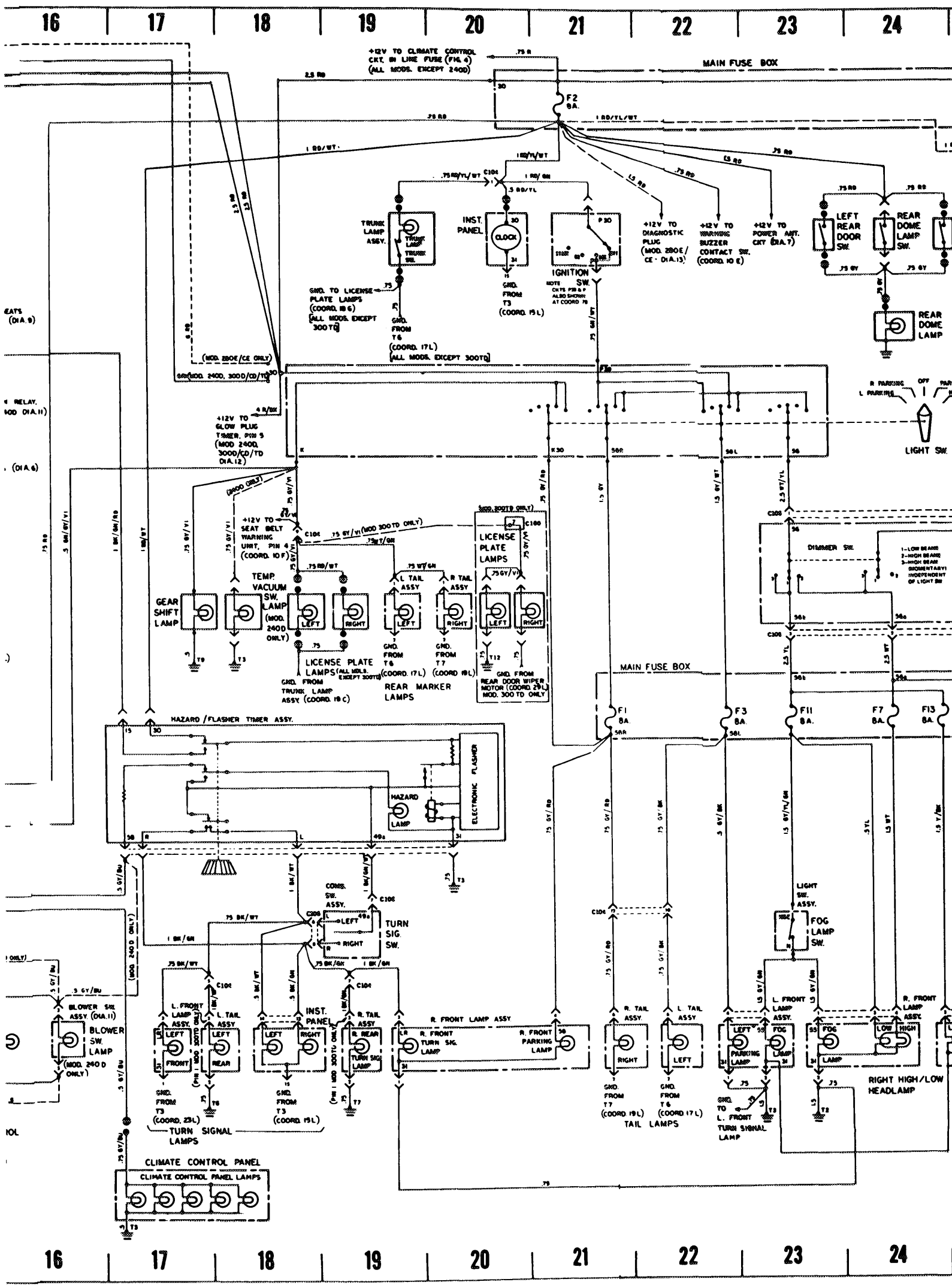
(MOD. 2400, 3000/CE)

(MOD. 2400, 3000/CE)

(MOD. 2400, 3000/CE)

(MOD. 2400, 3000/CE)

(MOD. 2400, 3000/CE)



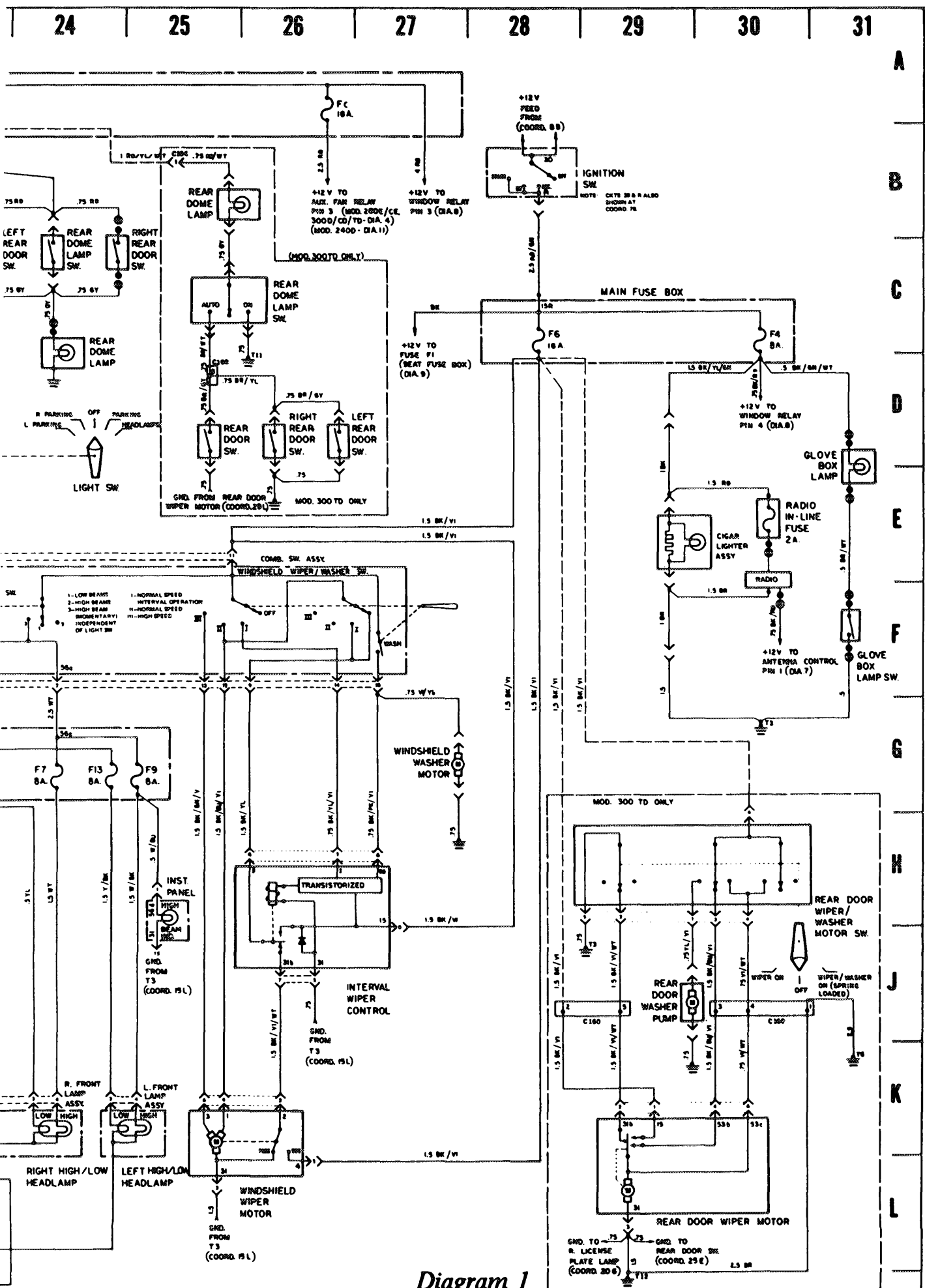


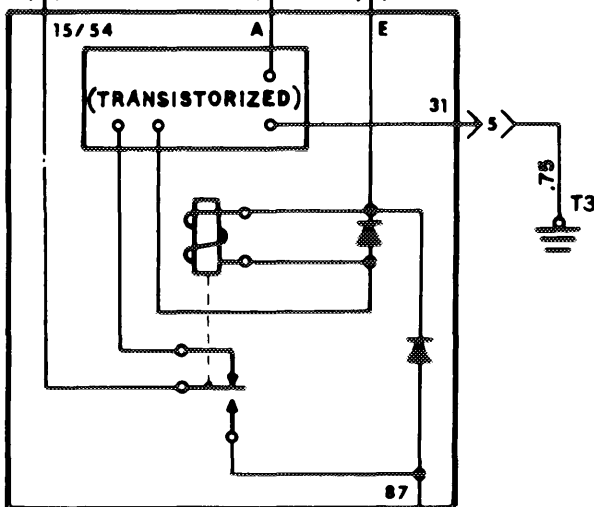
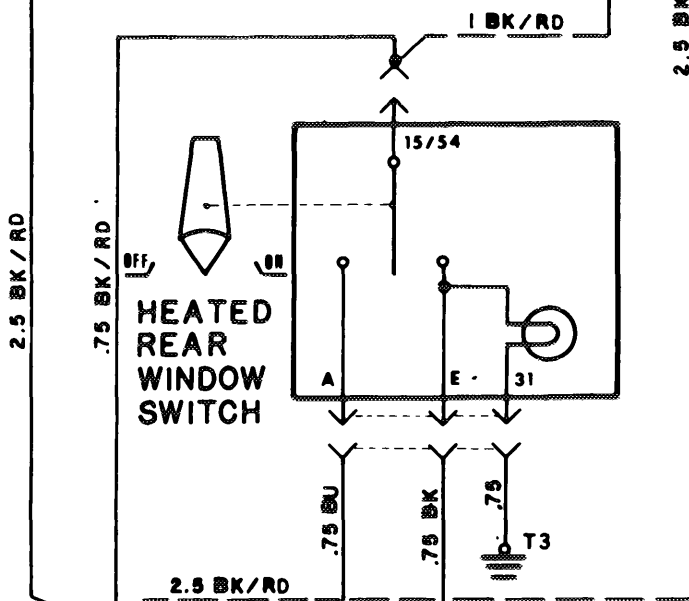
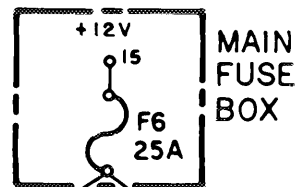
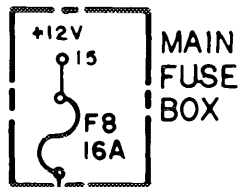
Diagram 1

1978/79 Models: 240D, 280E, 280CE, 300D, 300CD, 300TD

NOTE: ALL WIRES TERMINATING AT GND ARE BK

MDLS. 240D, 280E/CE,  
300D/CD/TD  
(DIA. 1 - COORD. 7D)

MDLS. 280SE, 300SD,  
450SEL, 6.9  
(DIA. 2 - COORD. 10C)



PIN 2  
(MDLS. 240D, 300SD, 6.9)  
2.5 BK

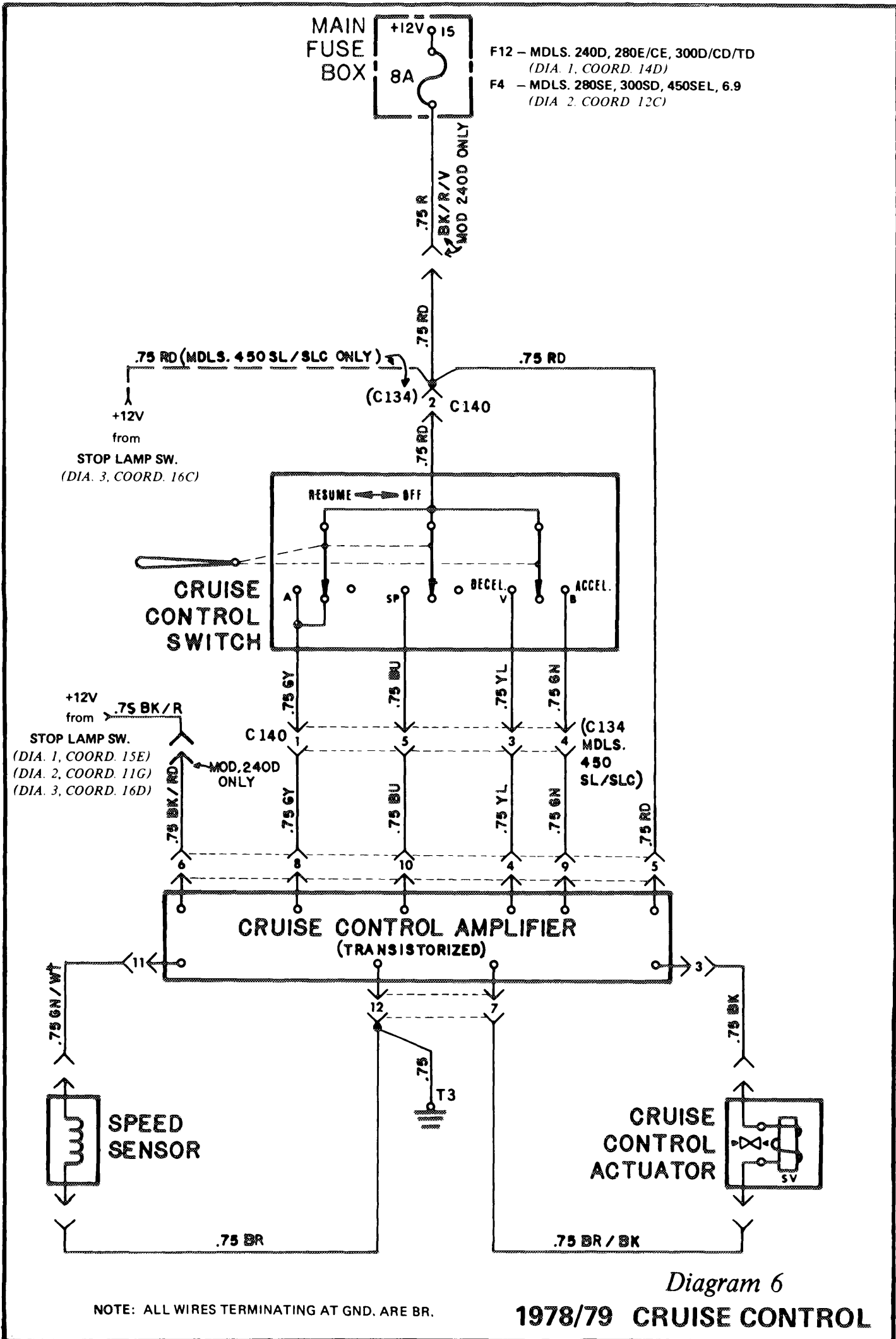
C104  
C160-6 (MOD. 300TD ONLY)



NOTE: ALL WIRES TERMINATING AT GND. ARE BR.

Diagram 5

1978/79 REAR WINDOW HEATER



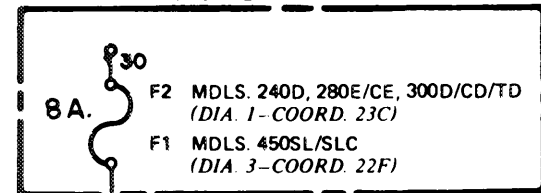
NOTE: ALL WIRES TERMINATING AT GND. ARE BR.

Diagram 6  
1978/79 CRUISE CONTROL

MDLS. 240D, 280E/CE, 300D/CD/TD  
 (DIA. 1-COORD. 30F)  
 MDLS. 280SE, 300SD, 450SEL, 6.9  
 (DIA. 2-COORD. 10G)  
 MDLS. 450SL/SLC  
 (DIA. 3-COORD. 37H)

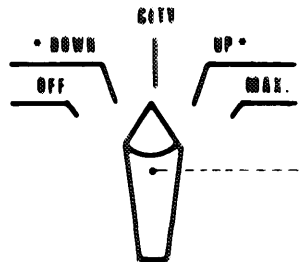
MDLS. 280SE, 300SD, 450SEL, 6.9  
 +12V  
 from  
 C135-1  
 (DIA. 2-COORD. 26C)

**FUSE BOX**

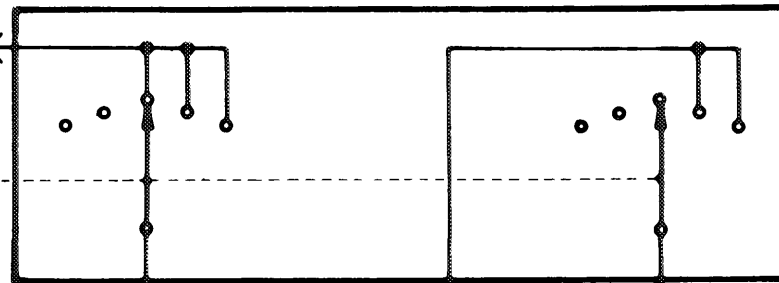


**RADIO**

\*NOTE: MOMENTARY POSITIONS



**ANTENNA CONTROL SWITCH**



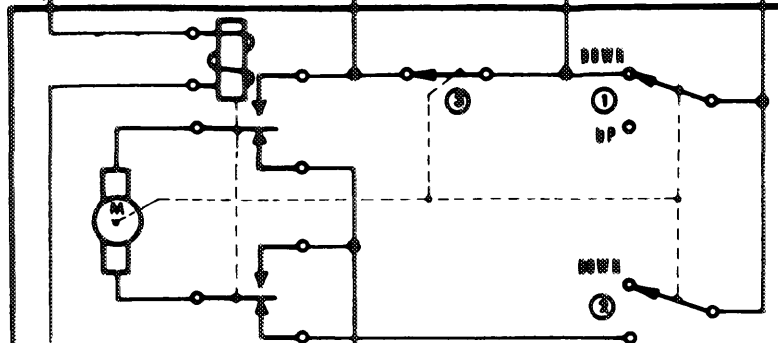
C135  
 .75 BU/SY

1.5 BU

1.5 BK

1.5 RD

**ANTENNA MOTOR & RELAY ASSEMBLY**



DOWN  
UP

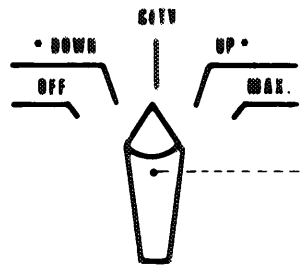
DOWN  
UP

1.5 RD

1.5 RD

C104  
 (MODELS 450 SEL/SL/SLC,  
 / 6.9 ONLY)

\*NOTE: MOMENTARY POSITIONS



ANTENNA CONTROL SWITCH

ANTENNA MOTOR & RELAY ASSEMBLY

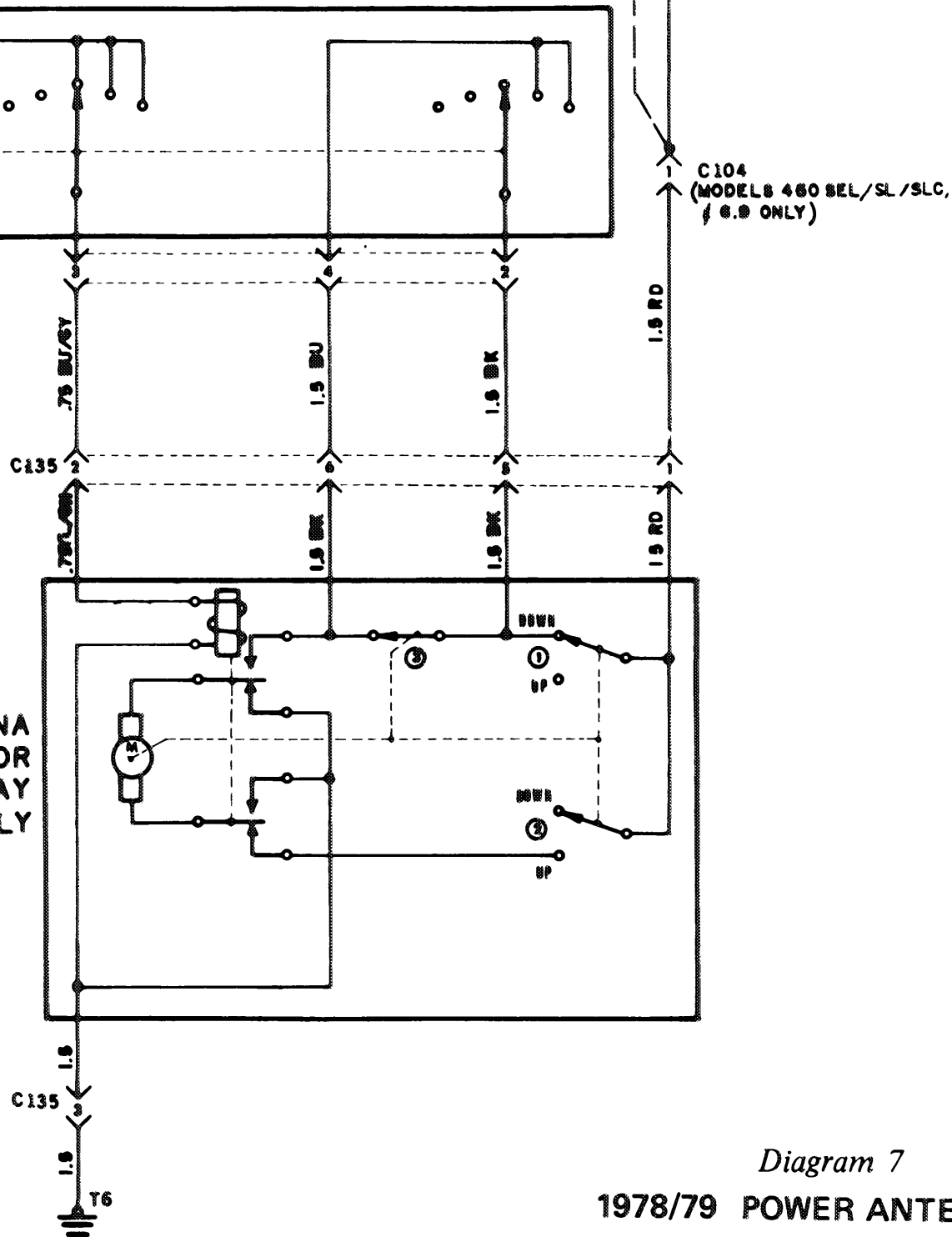
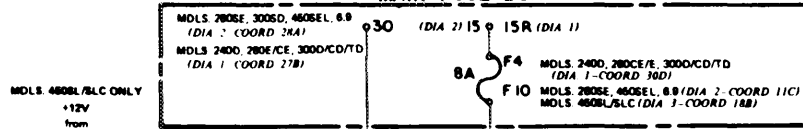


Diagram 7  
1978/79 POWER ANTENNA

NOTE: ALL W'RES TERMINATING AT GND. ARE BR.

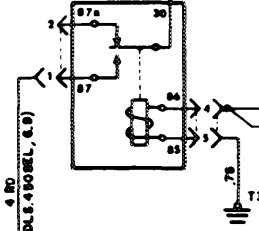
**MAIN FUSE BOX**



MDLS 4605L/SLC ONLY  
+12V  
from  
C106  
(DIA 1-COORD 3C)

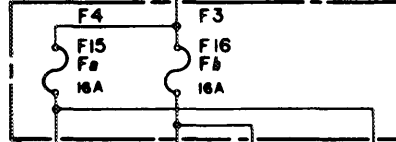
4 RD (MDLS 4605L/SLC ONLY)

**WINDOW RELAY**



MOD. 3005D ONLY  
+12V  
from  
IGNITION SW. TERM R  
(DIA 2-COORD 10E)

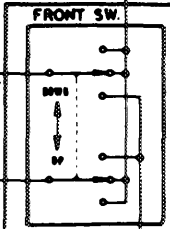
**MAIN FUSE BOX**



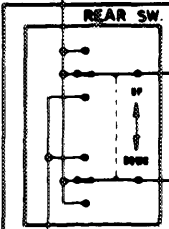
NOTE: FUSES F3 & F4 : MDLS 4505L/SLC (DIA 1)  
FUSES F15 & F16 : MDLS 2805E, 3005D, 4605EL, 6.9 (DIA 2)  
FUSES F8 & F6 : MDLS 240D, 280E/CE, 3000/CD/TD (DIA 1)

C107

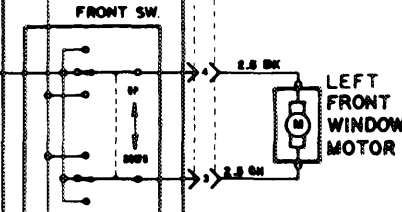
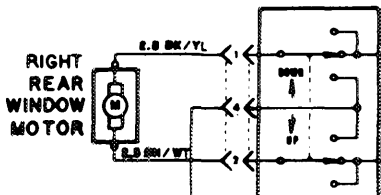
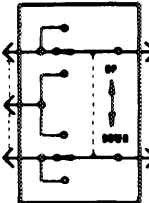
**CONSOLE SWITCH ASSEMBLY**



**CONSOLE SWITCH ASSEMBLY**



**LEFT REAR WINDOW SWITCH**





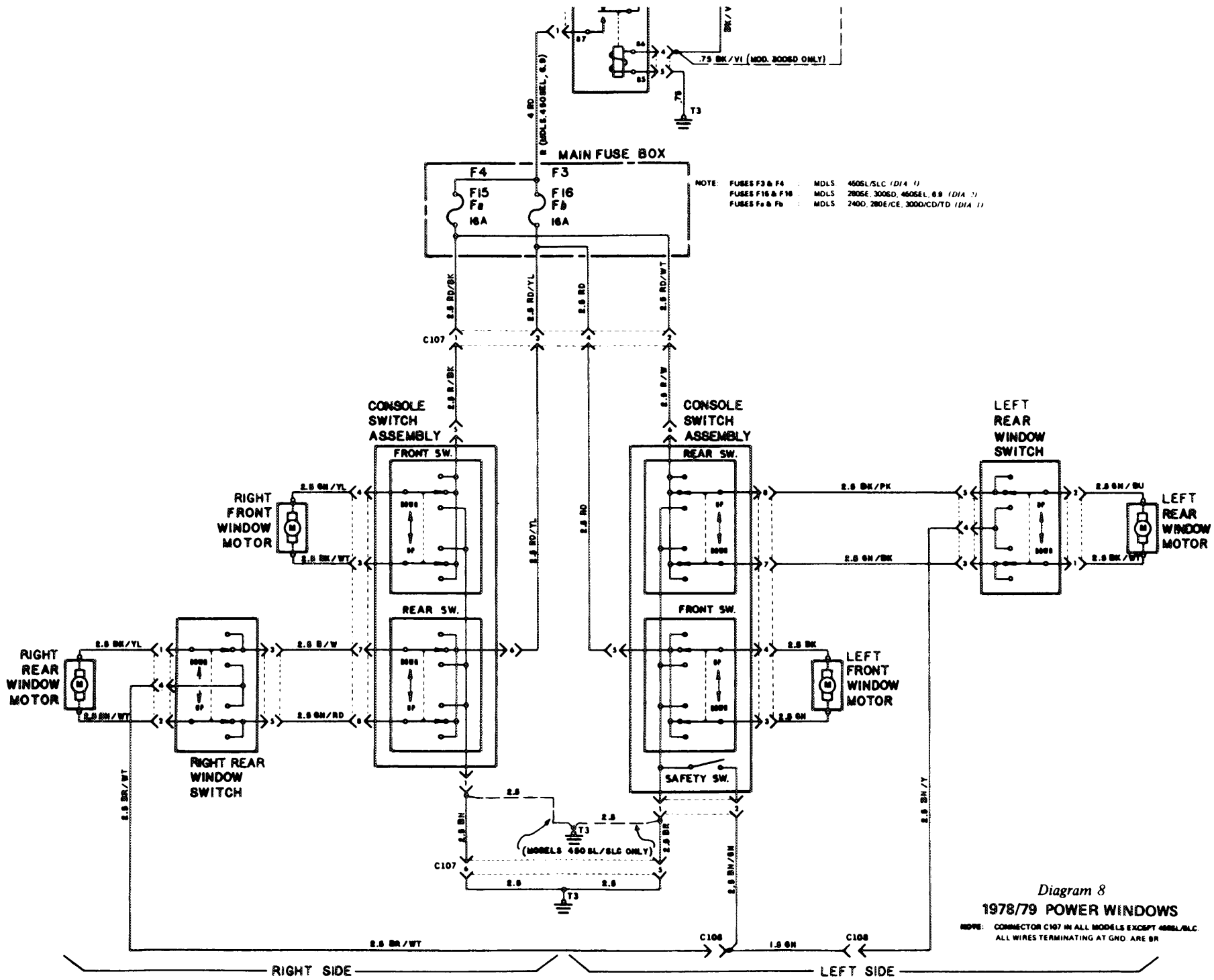
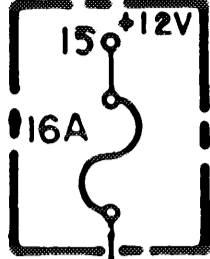


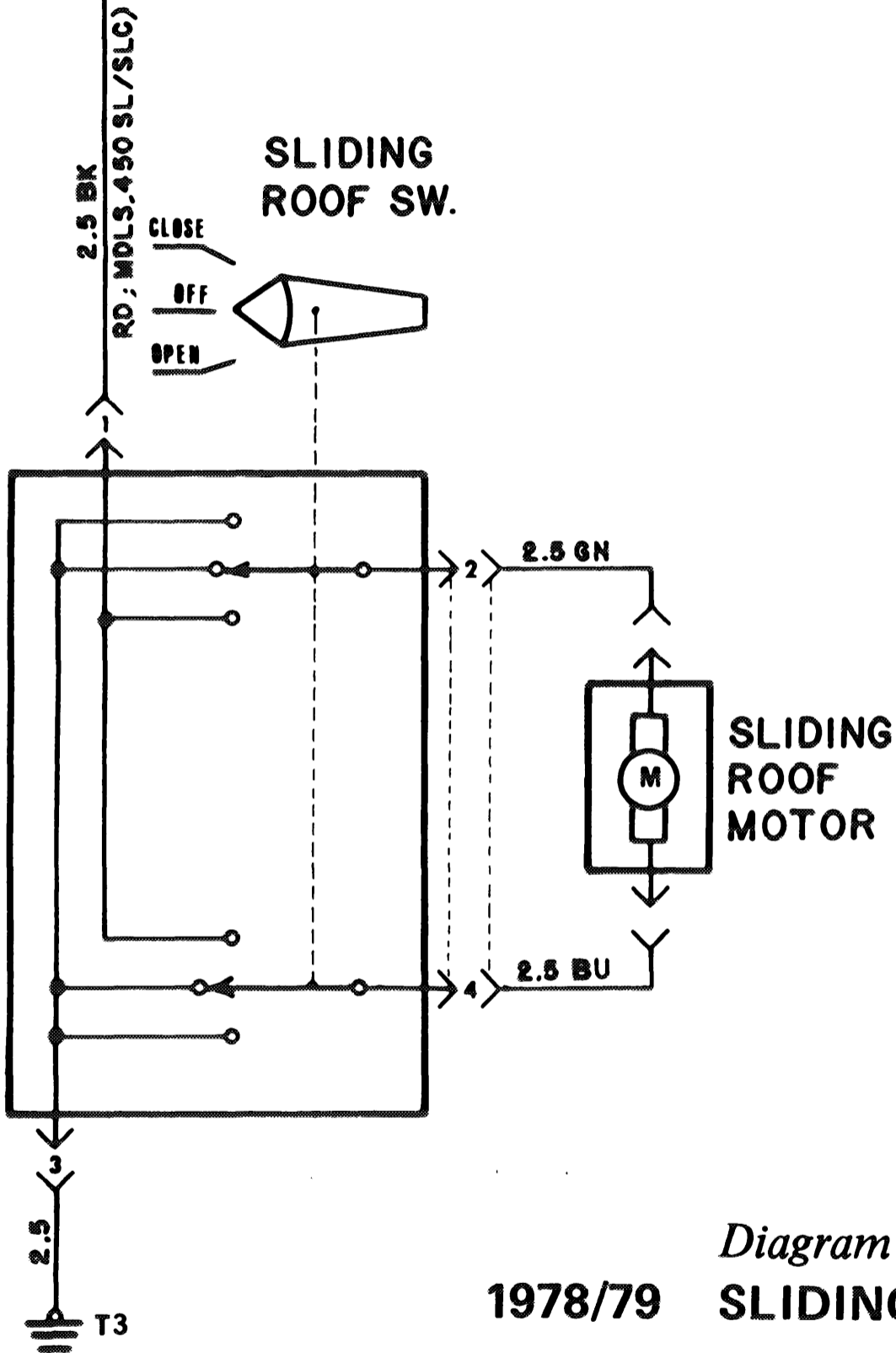
Diagram 8  
1978/79 POWER WINDOWS

NOTE: CONNECTOR C107 IN ALL MODELS EXCEPT 460SL/SLC.  
ALL WIRES TERMINATING AT GND. ARE BR

MAIN FUSE BOX



- Fd — MDLS. 240D, 280E/CE, 300D/CD (DIA. 1-COORD. 8D)
- F10 — MDLS. 280SE, 300SD, 450SEL, 6.9 (DIA. 2-COORD. 11C)
- F5 — MDL. 450SLC (DIA. 3-COORD. 21B)



SLIDING ROOF MOTOR

Diagram 10  
1978/79 SLIDING ROOF

NOTE: ALL WIRES TERMINATING AT GND. ARE BR.

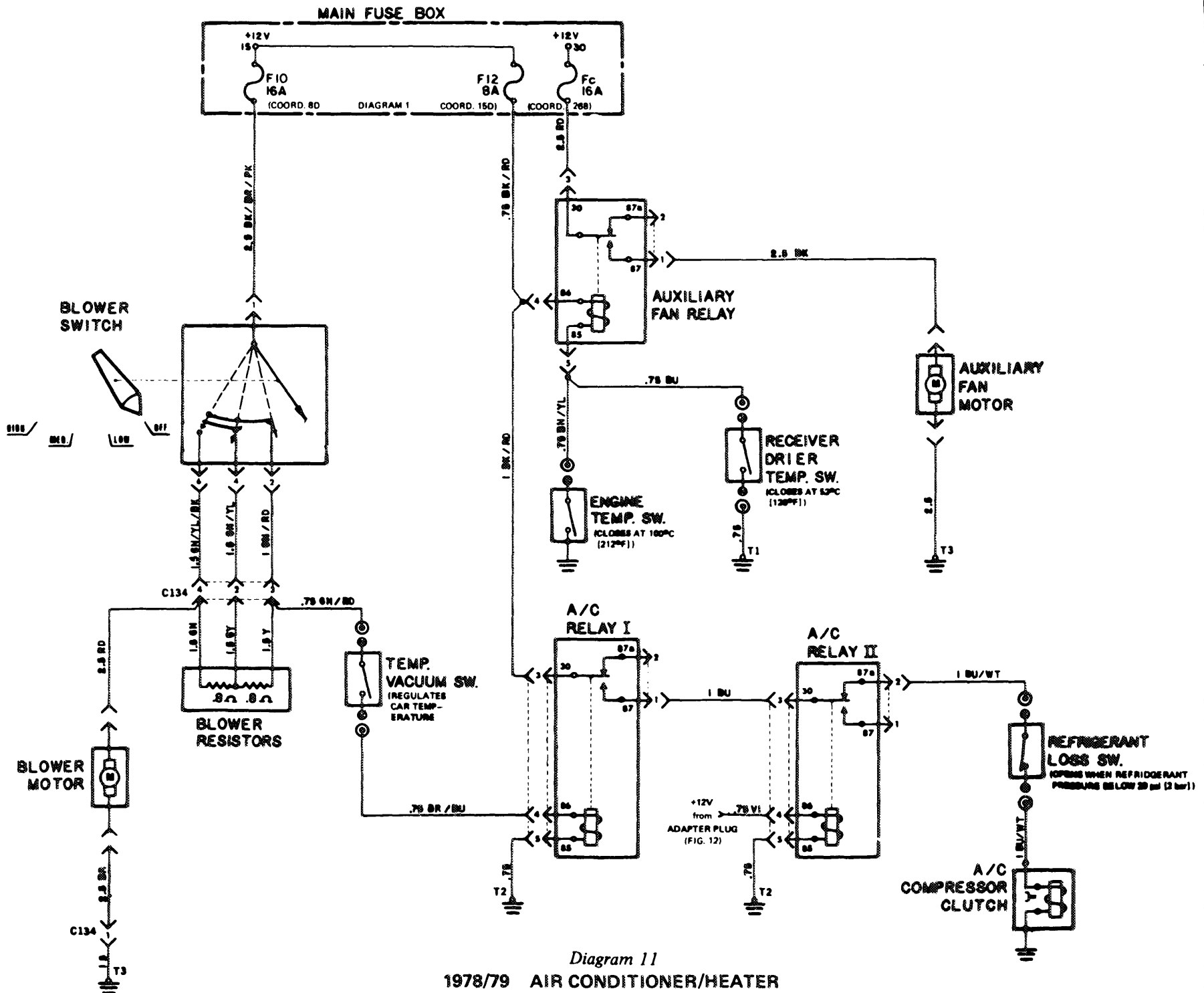


Diagram 11  
 1978/79 AIR CONDITIONER/HEATER  
 (Model 240D)

NOTE: ALL WIRES TERMINATING AT GND. ARE BR.

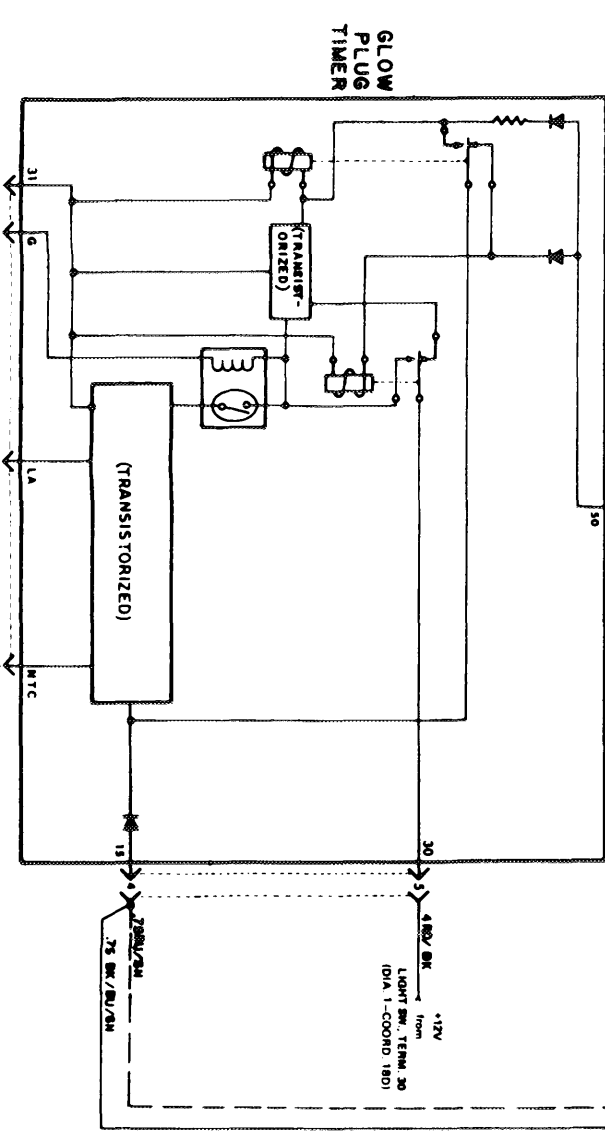
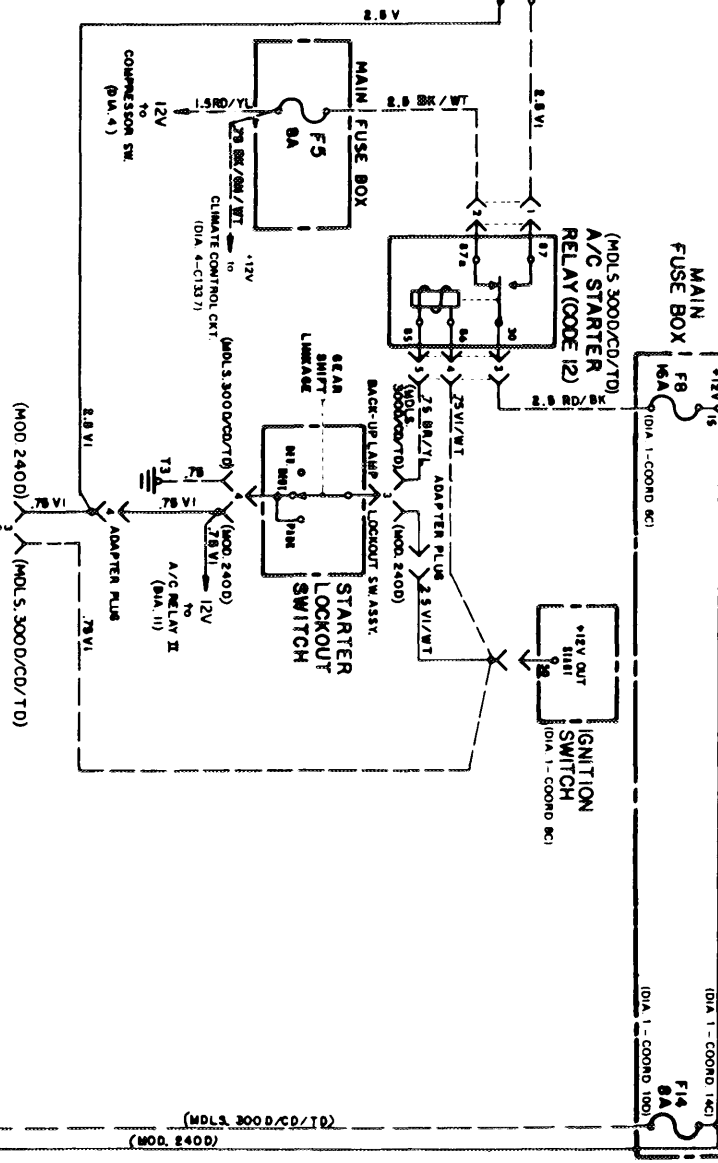
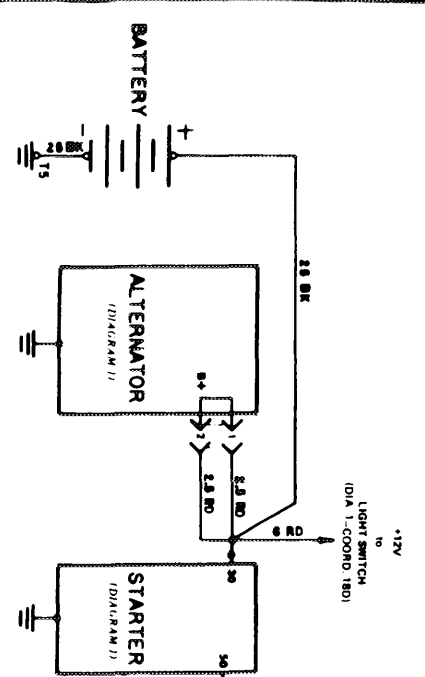


Diagram 12  
1978/79 GLOW PLUG  
(Models 240D, 3000D/CD/TD)

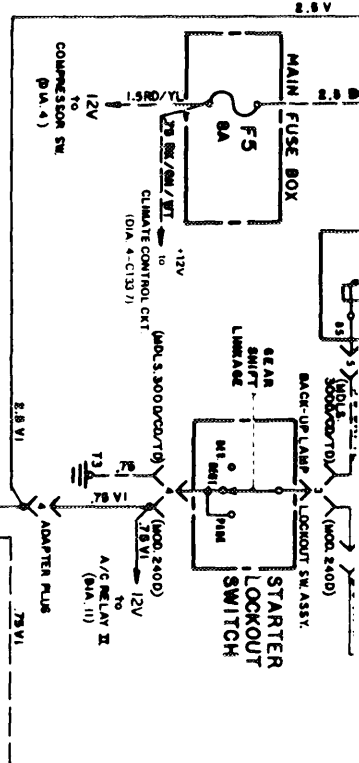
WIRING

MOD. 3000/CD/TD  
NOTE: ALL WIRES TERMINATING AT GND ARE BR

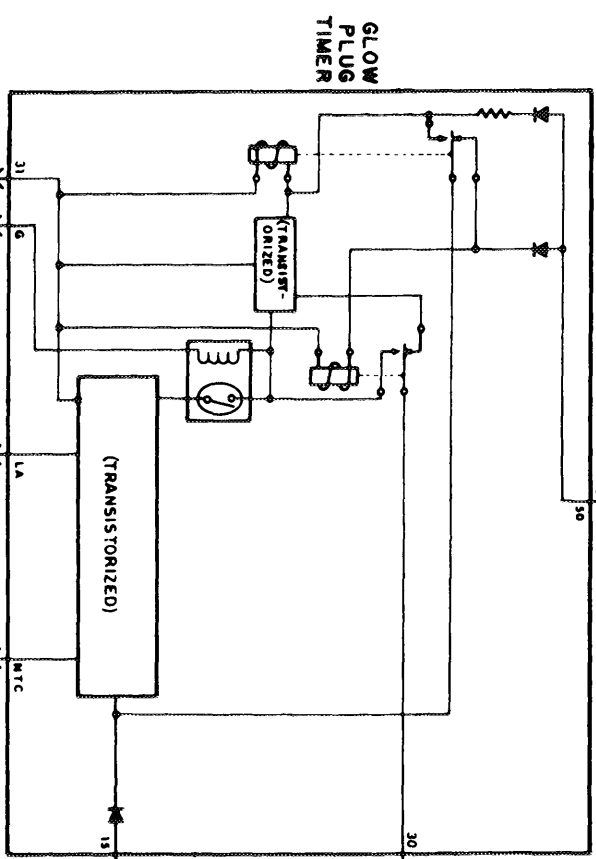
BATTERY  
ALTERNATOR (DUCAM 11)

STARTER (DUCAM 11)

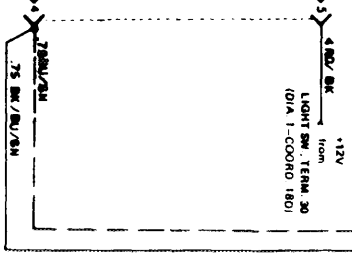
MAIN FUSE BOX  
F5 8A



(MOD 240D) (MOD 300D/CD/TD)



GLOW PLUG TIMER

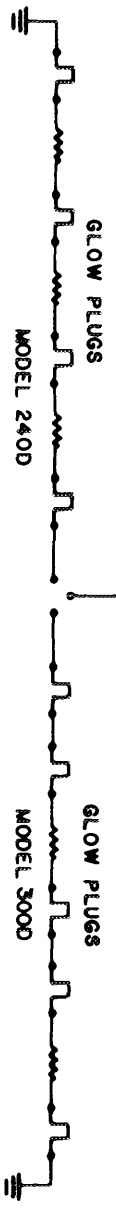


(MOD 300D/CD/TD) (MOD 240D)

Diagram 12  
1978/79 GLOW PLUG  
(Models 240D, 300D/CD/TD)

WIRING

MOD. 300D/CD/TD  
NOTE: ALL WIRES TERMINATING AT GND ARE BR

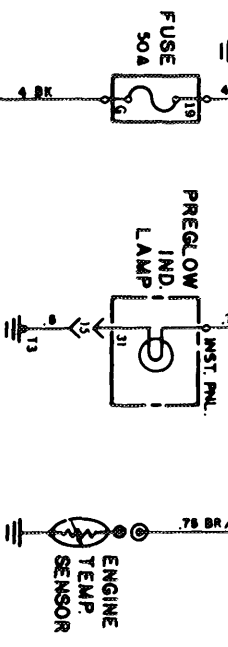


GLOW PLUGS

MODEL 240D

GLOW PLUGS

MODEL 300D



PREGLOW IND. INST. ILL.

ENGINE TEMP. SENSOR