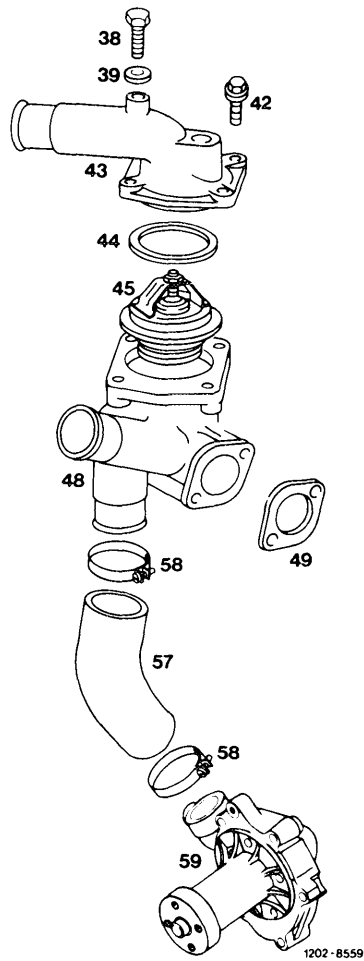
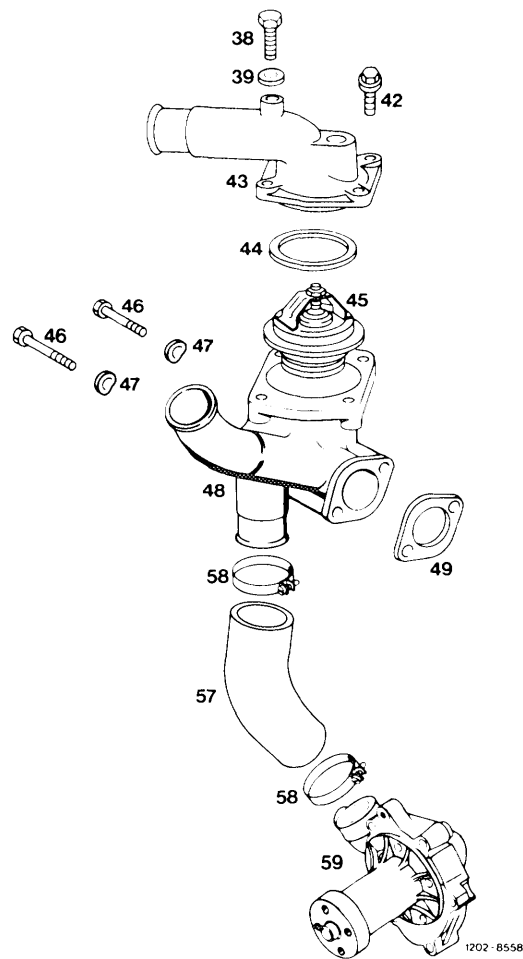


A. Engines 615, 616 in model 115.1



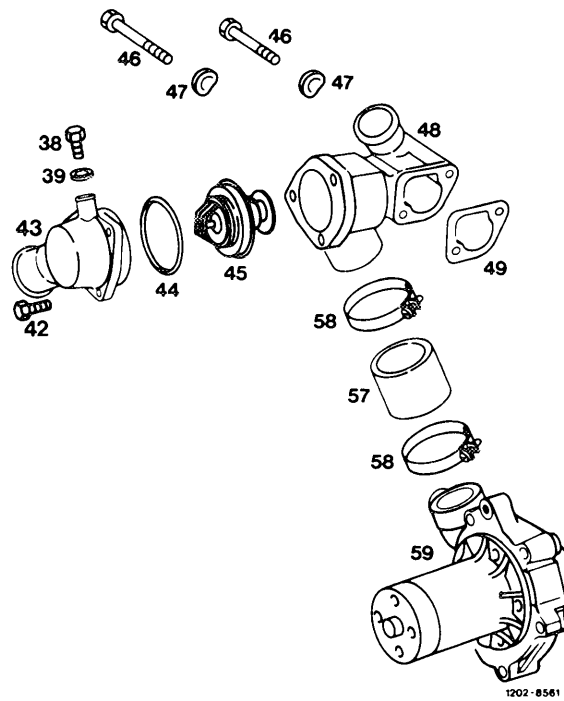
- | | |
|-----------------------------|----------------------------|
| 38 Screw | 48 Thermostat housing |
| 39 Sealing ring | 49 Gasket |
| 42 4 combination screws | 57 Hose |
| 43 Thermostat housing cover | 58 Clamp |
| 44 Gasket | 59 Water pump with housing |
| 45 Thermostat | |

B. Engines 615, 616 in model 115.1 with air conditioning system



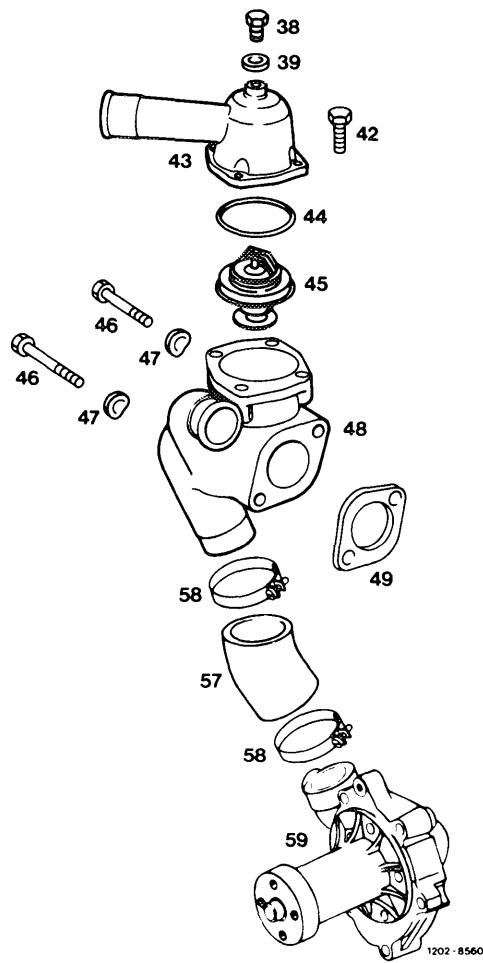
- | | |
|-----------------------------|----------------------------|
| 38 Screw | 46 Screw |
| 39 Sealing ring | 47 Spring washer |
| 42 3 combination screws | 48 Thermostat housing |
| 43 Thermostat housing cover | 49 Gasket |
| 44 Gasket | 57 Hose |
| 45 Thermostat | 58 Clamp |
| | 59 Water pump with housing |

C. Engine 617 in model 115.1



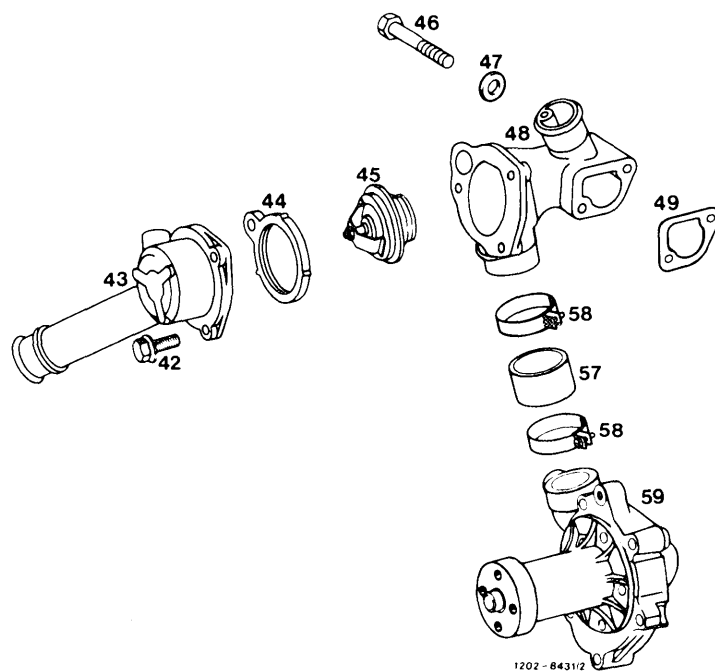
- | | | | |
|----|--------------------------|----|--------------------------|
| 38 | Screw | 46 | Screw |
| 39 | Gasket | 47 | Spring washer |
| 42 | 3 combination screws | 48 | Thermostat housing cover |
| 43 | Thermostat housing cover | 49 | Gasket |
| 44 | Gasket | 57 | Hose |
| 45 | Thermostat | 58 | Clamp |
| | | 59 | Water pump with housing |

D. Engine 617 in model 115.1 with air conditioning system
 Engines 615, 616 in model 123.1 (1st version) with air conditioning system



- | | |
|-----------------------------|----------------------------|
| 38 Screw | 46 Screw |
| 39 Sealing ring | 47 Spring washer |
| 42 4 combination screws | 48 Thermostat housing |
| 43 Thermostat housing cover | 49 Gasket |
| 44 Gasket | 57 Hose |
| 45 Thermostat | 58 Clamp |
| | 59 Water pump with housing |

F. Engines 615, 616, 617 in model 123.1 (2nd version)



- 42 3 combination screws
- 43 Thermostat housing cover
- 44 Gasket
- 45 Thermostat

- 46 2 screws
- 47 2 spring washers
- 48 Thermostat housing
- 49 Gasket
- 57 Hose
- 58 Clamp
- 59 Water pump with housing