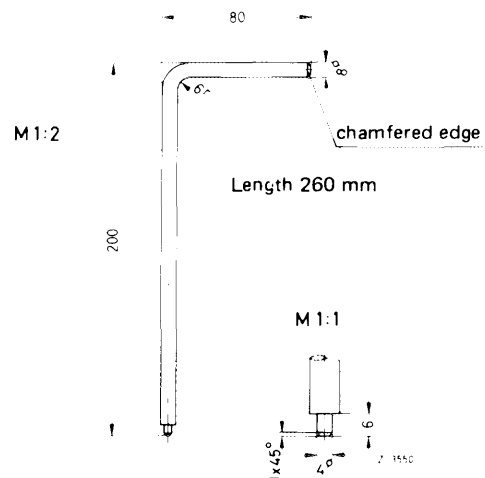


Self-made tool

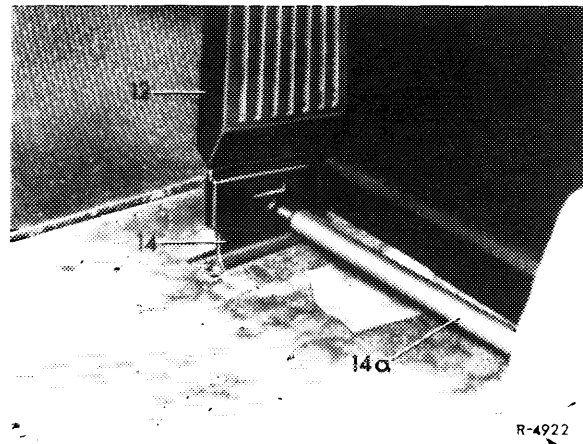
Pressing-off mandrel



Model 115.1 1st version

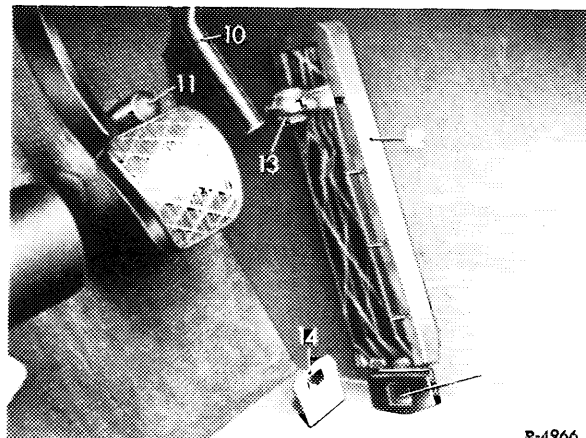
Removal

Remove accelerator pedal from bearing plate (14). For this purpose, unlock clip (15) from bearing plate by means of pressing-off mandrel (14a).



Pull off accelerator pedal in upward direction and pull out of pedal lever (10).

Note: Be sure to use pressing-off mandrel, so that clip on accelerator pedal is not damaged. The pressing-off mandrel is self-made according to drawing.



- | | |
|-----------------------|------------------|
| 10 Pedal lever | 13 Joint |
| 11 Full throttle stop | 14 Bearing plate |
| 12 Accelerator pedal | 15 Clip |

Installation

Slip accelerator pedal with joint (13) into pedal lever (10) and push tightly on bearing plate (14) so that clip (15) is **reliably engaging**.

Model 115.1 2nd version and model 123.1

Removal

Press expanding clip together and pull out.

Installation

During installation, make sure that expanding clip is reliably engaging.

