

Note

When checking the service and parking brake, be sure to observe the regulations and/or provisions specified by law.

Parking brake

Vehicles with foot-operated parking brake

Model 100

The parking brake adjusts itself automatically.

- Check whether the parking brake releases itself when a gear is selected.

Models 107, 114, 115 and 116 up to August 1975

- Applying a force of 400 N (40 kp) the foot pedal must be depressed through 2–3 teeth.

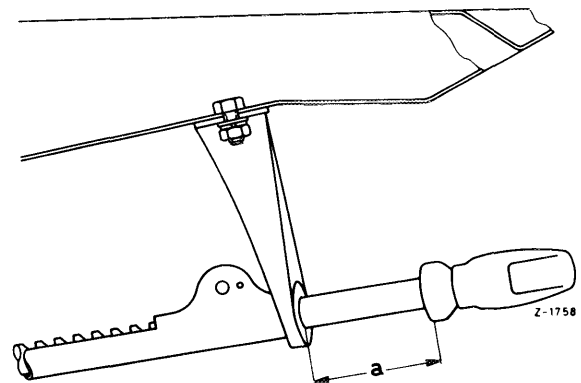
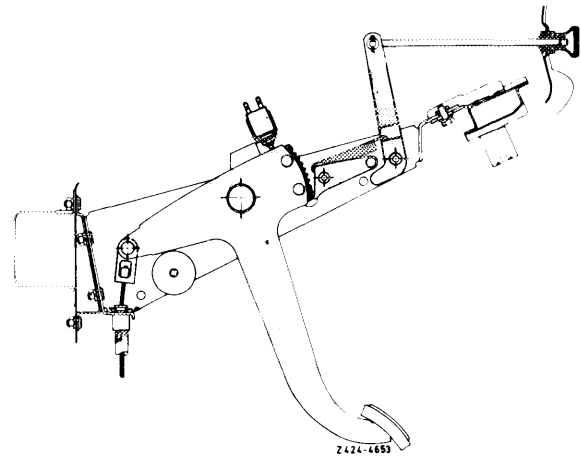
Model 116 starting September 1975 and model 123

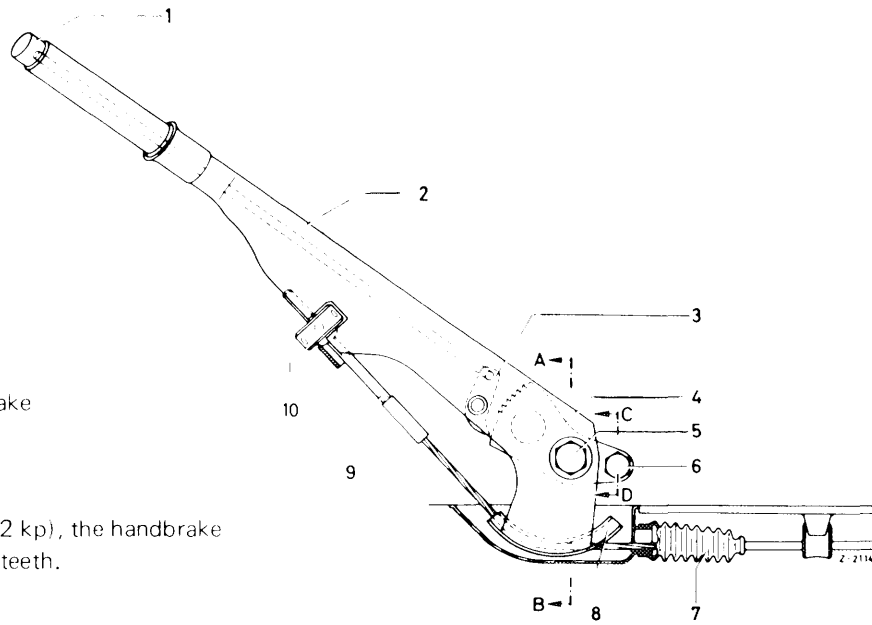
- At a force of 300 N (30 kp) pedal should yield 4–6 teeth.

Vehicles with pistol grip hand brake

Models 108, 109, 111

- Applying a force of 400 N (40 kp), the pawl rod must be pulled out through 5–6 teeth.





Vehicles with lever-type handbrake

Model 113

- Applying a force of 220 N (22 kp), the handbrake must be pulled on through 3–4 teeth.

All models (except model 100)

- If the given distances are exceeded, the parking brake needs adjusting (refer to job no. 706).
- During trial run (starting speed approx. 50 km/h) actuate parking brake 3 to 4 times at 150 to 200 N (15 to 20 kp) and brake vehicle until stopped, making sure that parking brake is not overheated.
- On dynamometer or function test bench. Run-in parking brake.

Drive vehicle at constant speed of 50 km/h (3rd speed). At a pedal force of 100 N (10 kp), operate parking brake for 10 seconds while keeping speed uniform (do not exceed pedal force).

If required, repeat running-in of brake after a given period of cooling down.

Attention!

When actuating parking brake, make sure that detent of pedal or pawl rod is not engaging.

All models

- Measure deceleration values of parking brake on brake dynamometer.

Service brake

- Check free travel of brake foot pedal. With a force of 200 N (20 kp) the foot brake pedal must be depressed approx. half of its travel. The test must be carried out with vacuum or compressed air assistance.
- Measure deceleration values of service brake on brake dynamometer.