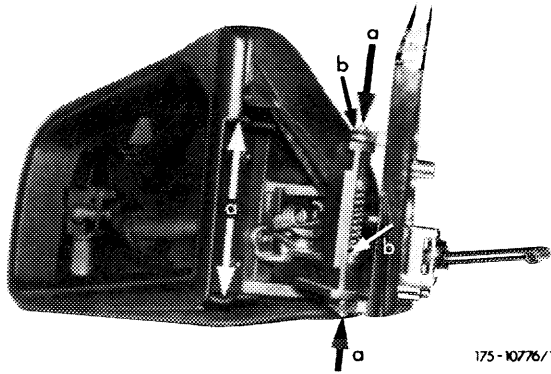


All models with folding outside mirror

Grease type

Multi-purpose grease

refer to „Specifications for Service Products“ page 267



- Disengage mirror from the rear in forward direction by means of a light punch with ball of thumb.
- Lubricate bearing of both detent bolts (arrows "b") and move mirror back and forth several times.
- Grease detent clip and detent bolt (arrows "a") at bearing points.