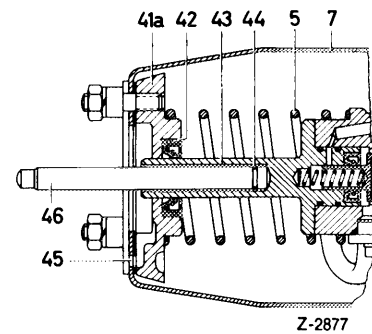


- Clean both ventilation bores on the front side of the compressed air brake booster with a wire.



45 Ventilation bore