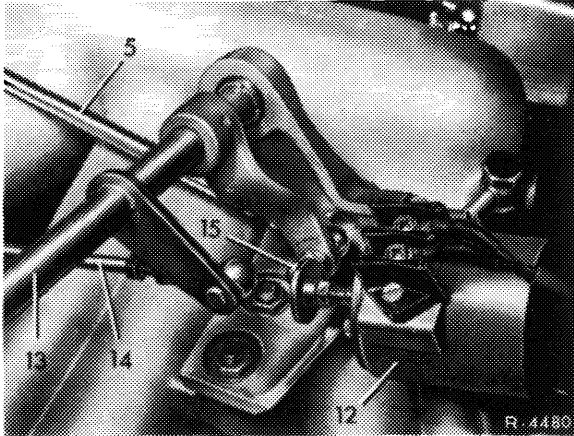


Engine 130.980 model year 1972

Test equipment

Inspection lamp, speedometer



- Connect speedometer to ignition system. Connect inspection lamp to solenoid (12). Run engine at idling speed. Switch-on air conditioner and turn power steering to full lock.

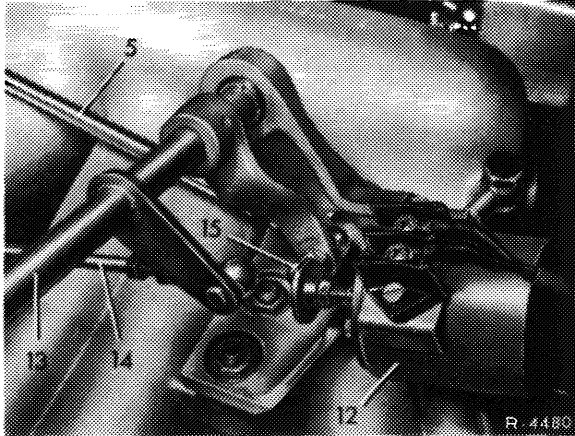
If the engine speed drops below approx. 600/min the inspection lamp should light up, solenoid should move to its extended position.

At engine speeds above approx. 1000/min the inspection lamp should extinguish, the solenoid should return to its inoperative position.

Engine 130.980 model year 1972

Test equipment

Inspection lamp, speedometer



- Connect speedometer to ignition system. Connect inspection lamp to solenoid (12). Run engine at idling speed. Switch-on air conditioner and turn power steering to full lock.

If the engine speed drops below approx. 600/min the inspection lamp should light up, solenoid should move to its extended position.

At engine speeds above approx. 1000/min the inspection lamp should extinguish, the solenoid should return to its inoperative position.