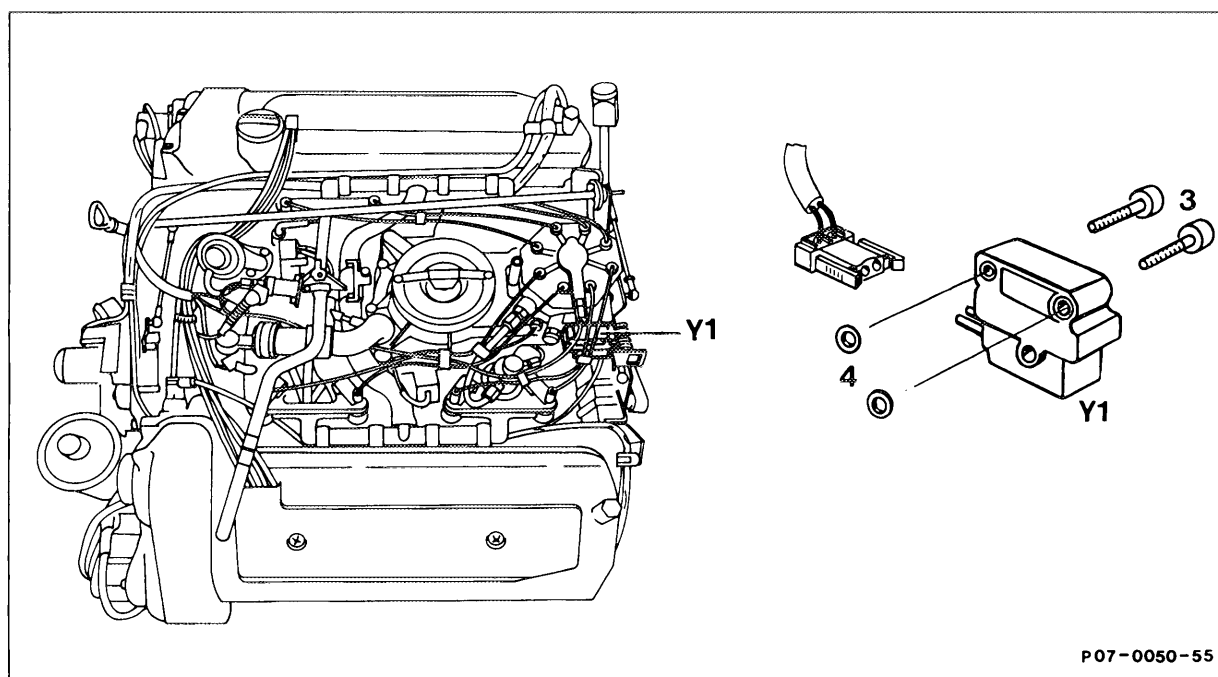


07.3-255 Renewing electrohydraulic adjusting element



P07-0050-55

Electrical coupling	disconnect, reconnect.
Fuel pressure	relieve. For this purpose loosen fuel line between fuel distributor and starting valve. Collect any fuel running out with a cloth.
Mounting screw (3)	unscrew, screw in. Renew O-rings (4). Observe cleanliness of sealing surface and clean surfaces with benzine and a lint free cloth if required. Secure mounting screws with 3.0 ± 0.5 Nm
O-ring seal (4)	check, no fuel must run out with running engine.
Idle speed	adjust.

Commercially available tool

Screwdriver 2115-T 27

e.g. Hazet, D-5630 Remscheid