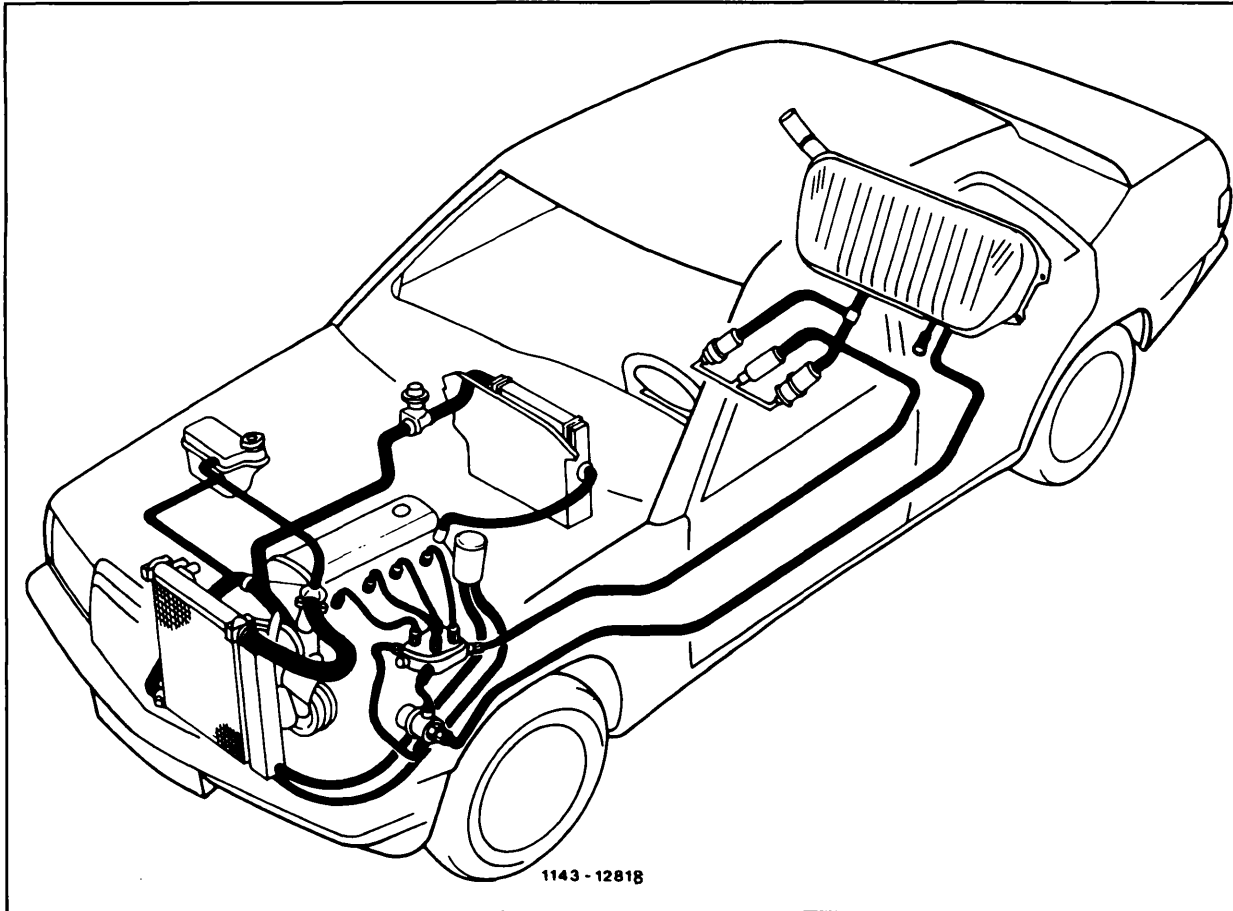


Model 107 starting 08.1985
124
126 starting 09.1985
129
201 starting 01.1985
140

Note: To perform this job number, the engine compartment lower panels or the lower noise encapsulation panels must be removed and then reinstalled after completion of all maintenance work (see jobs 6190 or 9490, respectively)

Inspect engine and fuel system, including lines and hoses, for leaks. Check for chafe marks and proper routing.



Engine

Crankcase
Coolant pump and housing
Oil pan
Air-oil cooler with hoses

Crankcase seal, front
Timing housing cover
Coolant and heating hoses

Cylinder head cover
Radiator
Oil filter

Fuel system

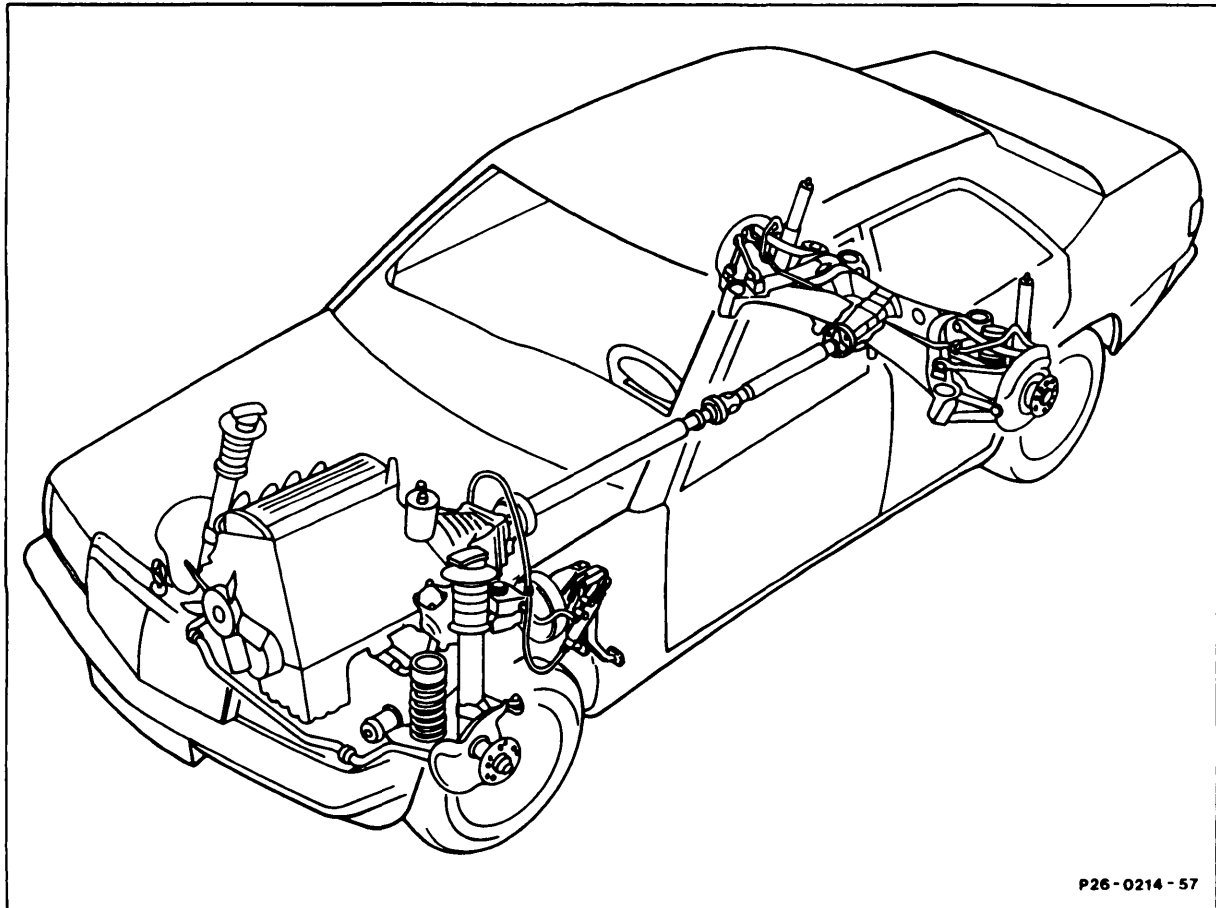
Fuel tank
Injection pump
Fuel pump

Fuel filters
Prefilter
Fuel cooler starting 1986

Fuel pump assembly
Injection system
Fuel preheating

Check condition of manual transmission, hydraulic clutch system, damper struts, shock absorbers, and rear axle.

If traces of oil are found on lower engine compartment panels, determine source.



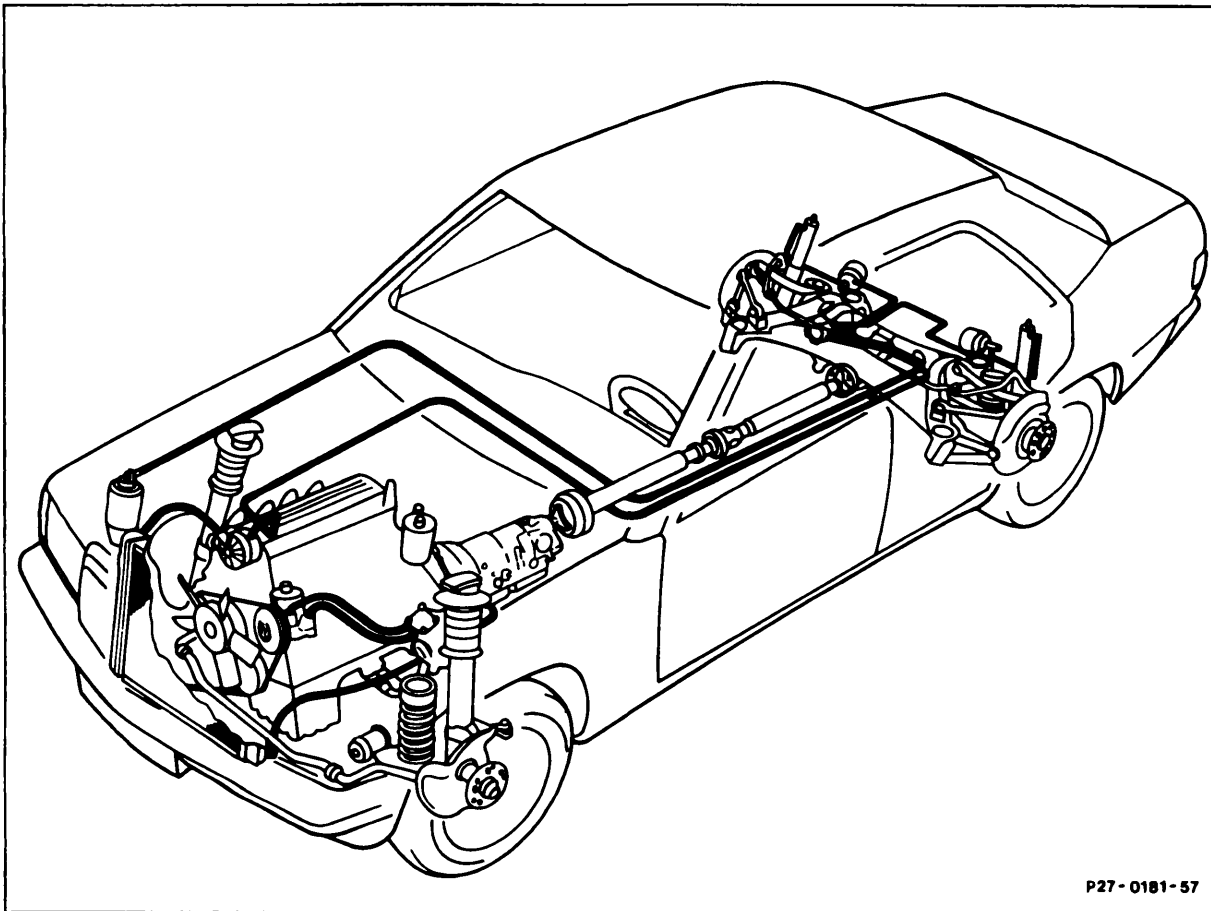
Manual transmission, clutch hydraulic system, and rear axle

- Sealing rings
- Fill and drain plugs
- Housing cover
- Clutch line and hose

Damper struts or shock absorbers

- Leaks
- Mounting

Check condition of automatic transmission, level control and power steering, including lines and hoses. Check for chafe marks and proper routing.



P27-0181-57

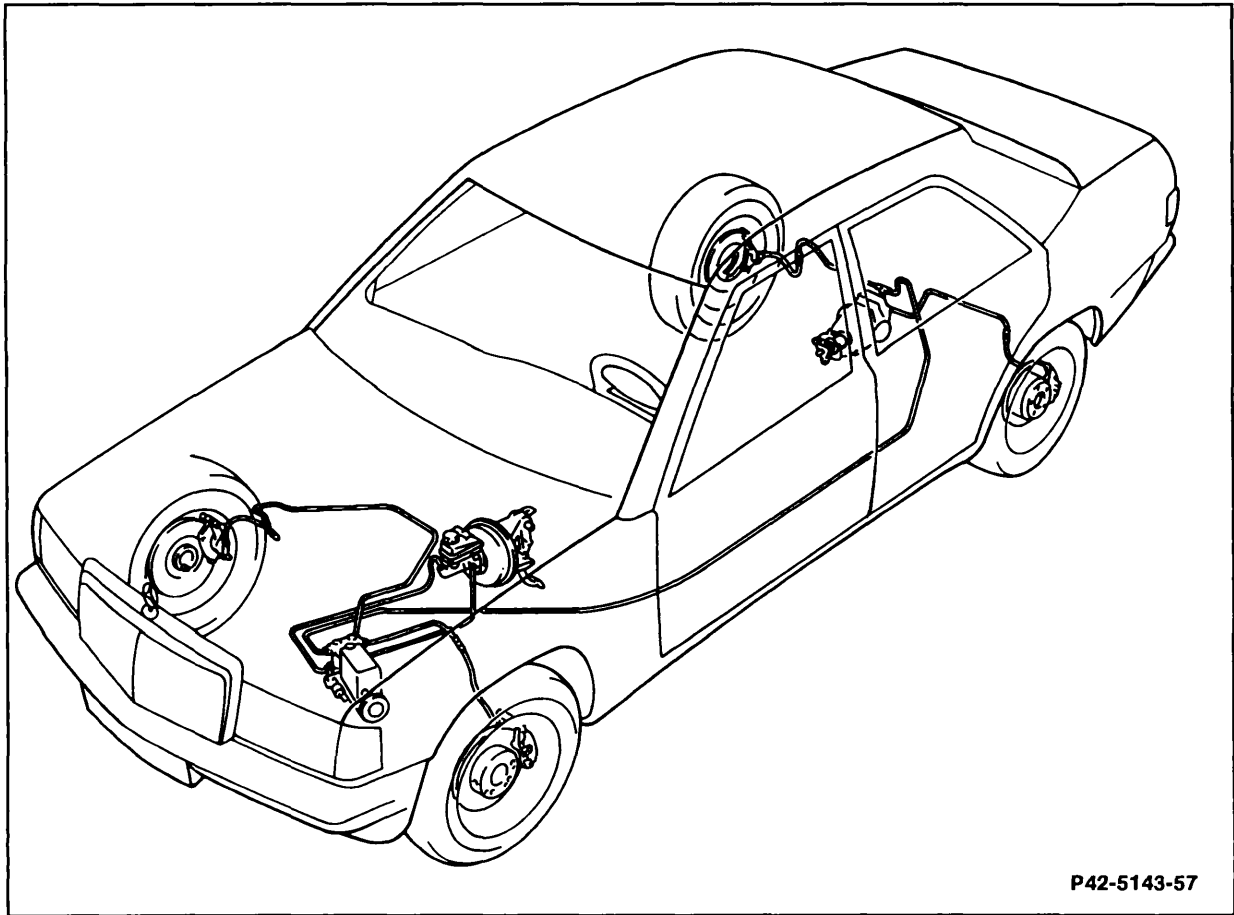
Automatic transmission, power steering

Torque converter
 Sealing rings and gasket
 Housing plugs
 Line connections
 Hoses
 Oil pan

Level control/ADS

Suspension struts
 Line connections
 Hoses
 Leveling valves
 Hydraulic oil reservoir
 Hydraulic oil pump
 Suspension pressure reservoirs
 Distribution valve
 Control valve
 Damping valve units

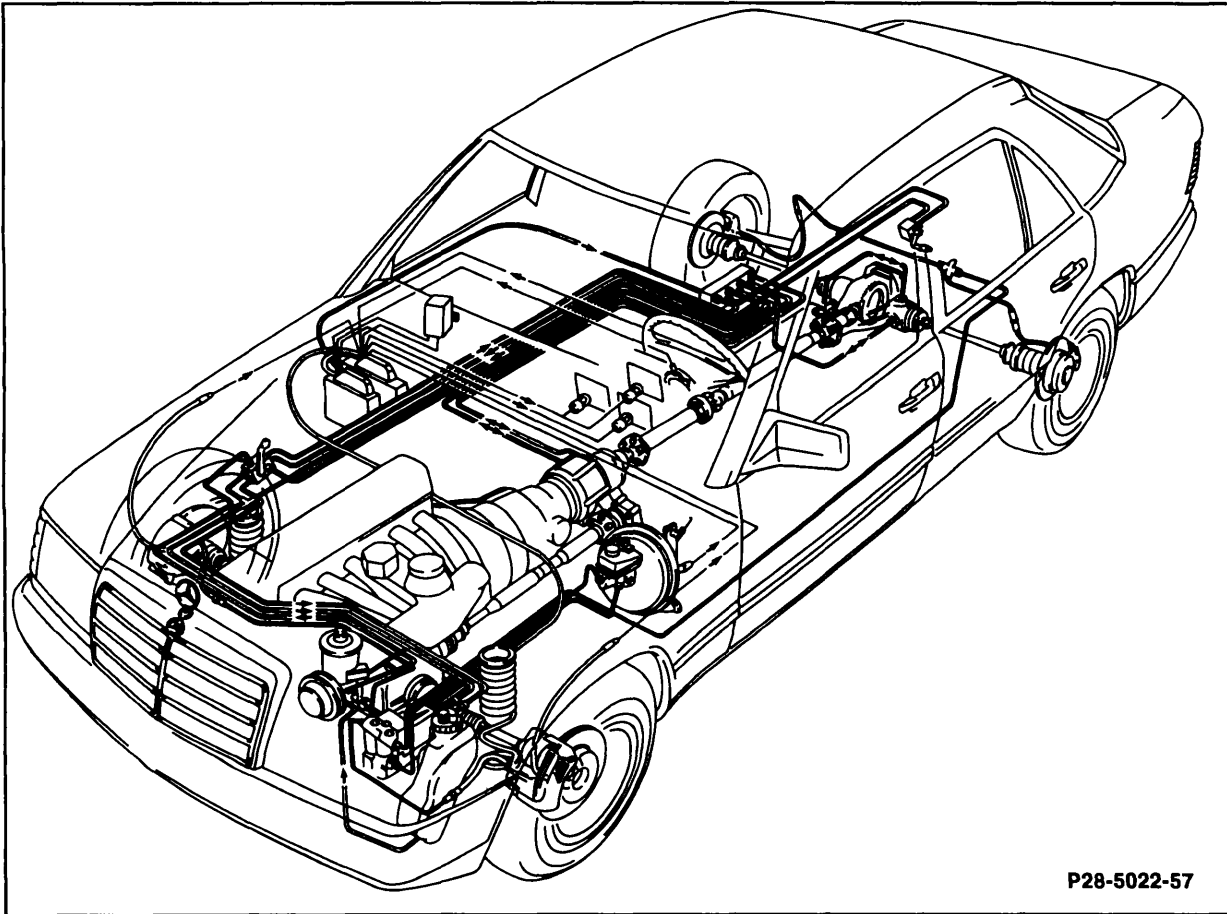
Check condition of brake system including lines and hose . Check for chafe marks and proper routing.



Brake system

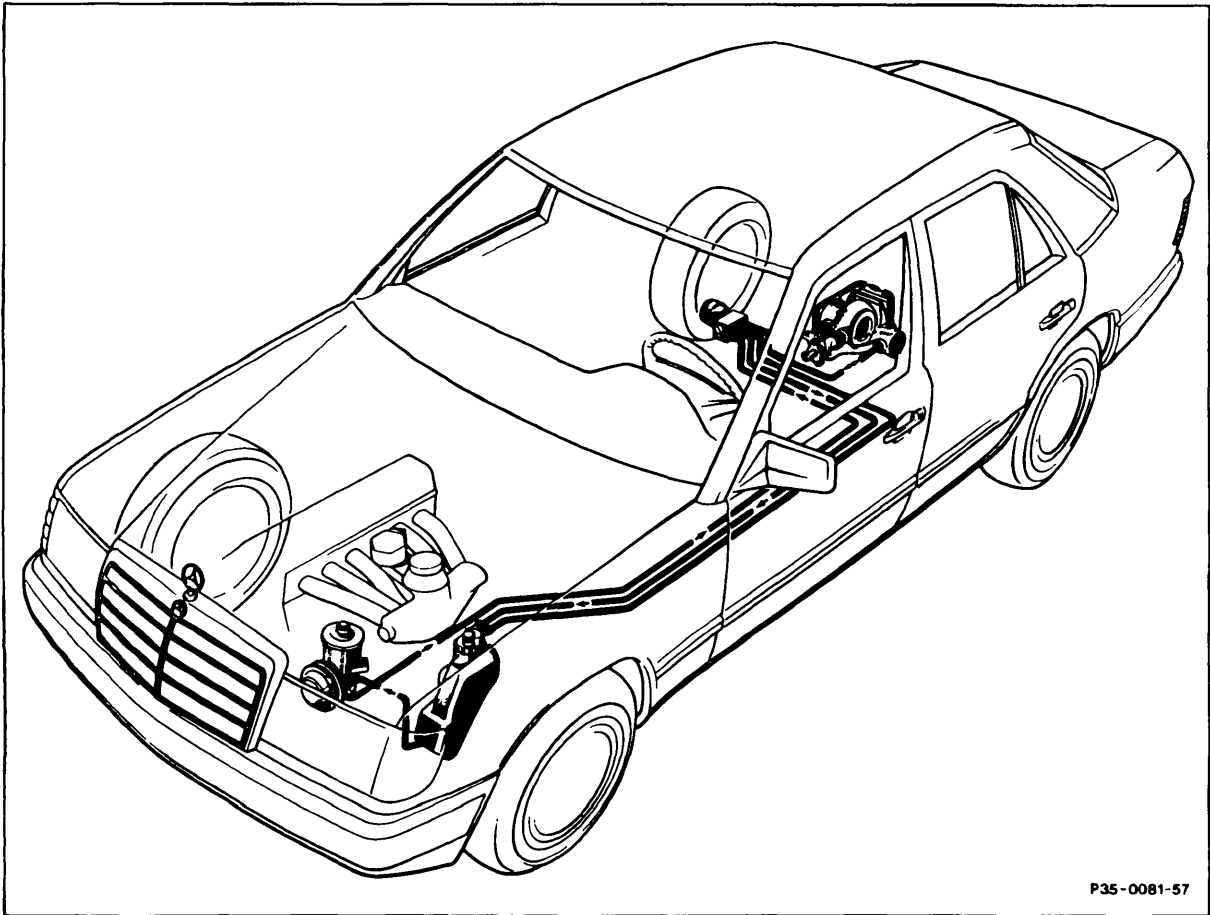
- Lines
- Hoses
- Master cylinder
- Fluid reservoir
- Brake calipers
- ABS hydraulic unit

Check condition of all lines and hoses. Check for chafe marks and proper routing.



Vehicles with 4MATIC

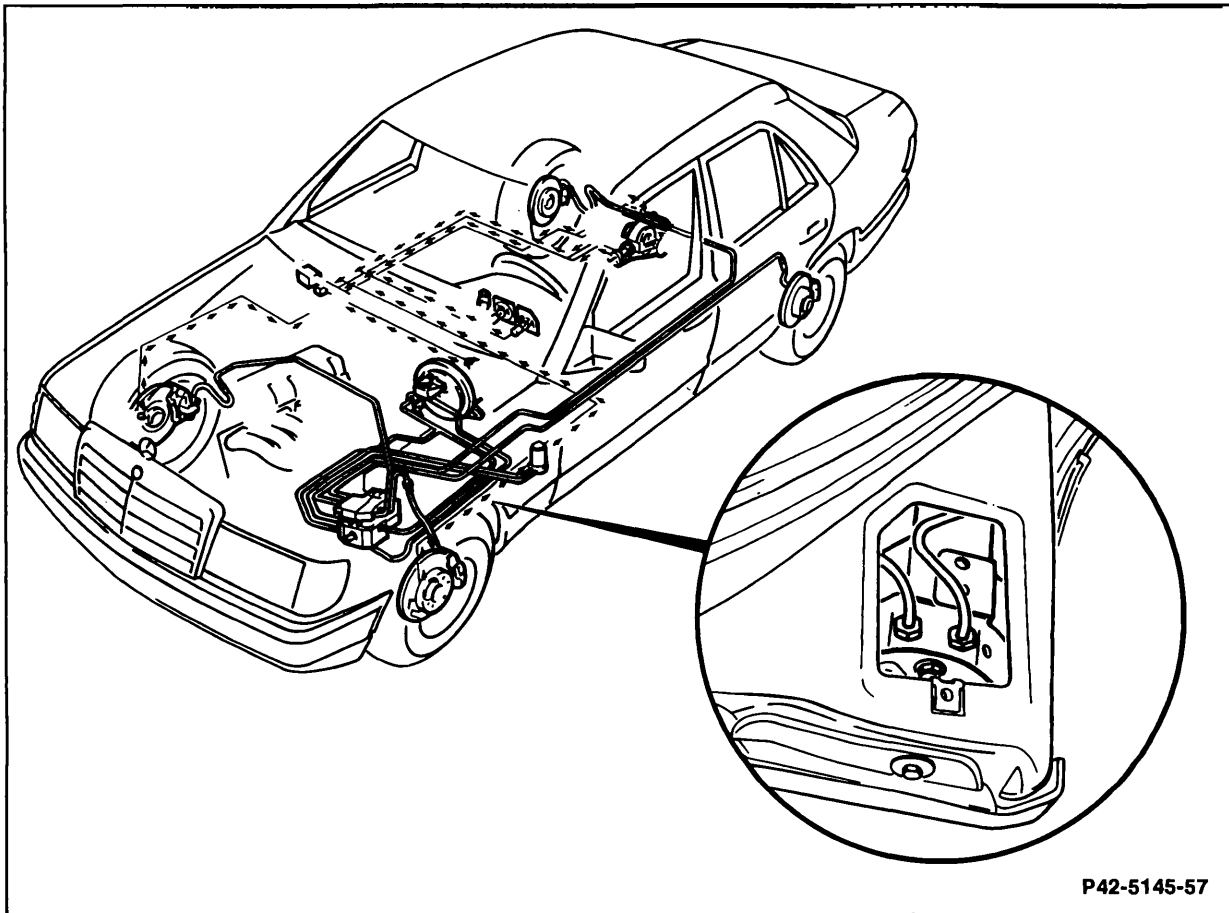
Check condition of all lines and hoses. Check for chafe marks and proper routing.



P35-0081-57

Vehicles with ASD

Check condition of all lines and hoses. Check for chafe marks and proper routing.



Vehicles with ASRII

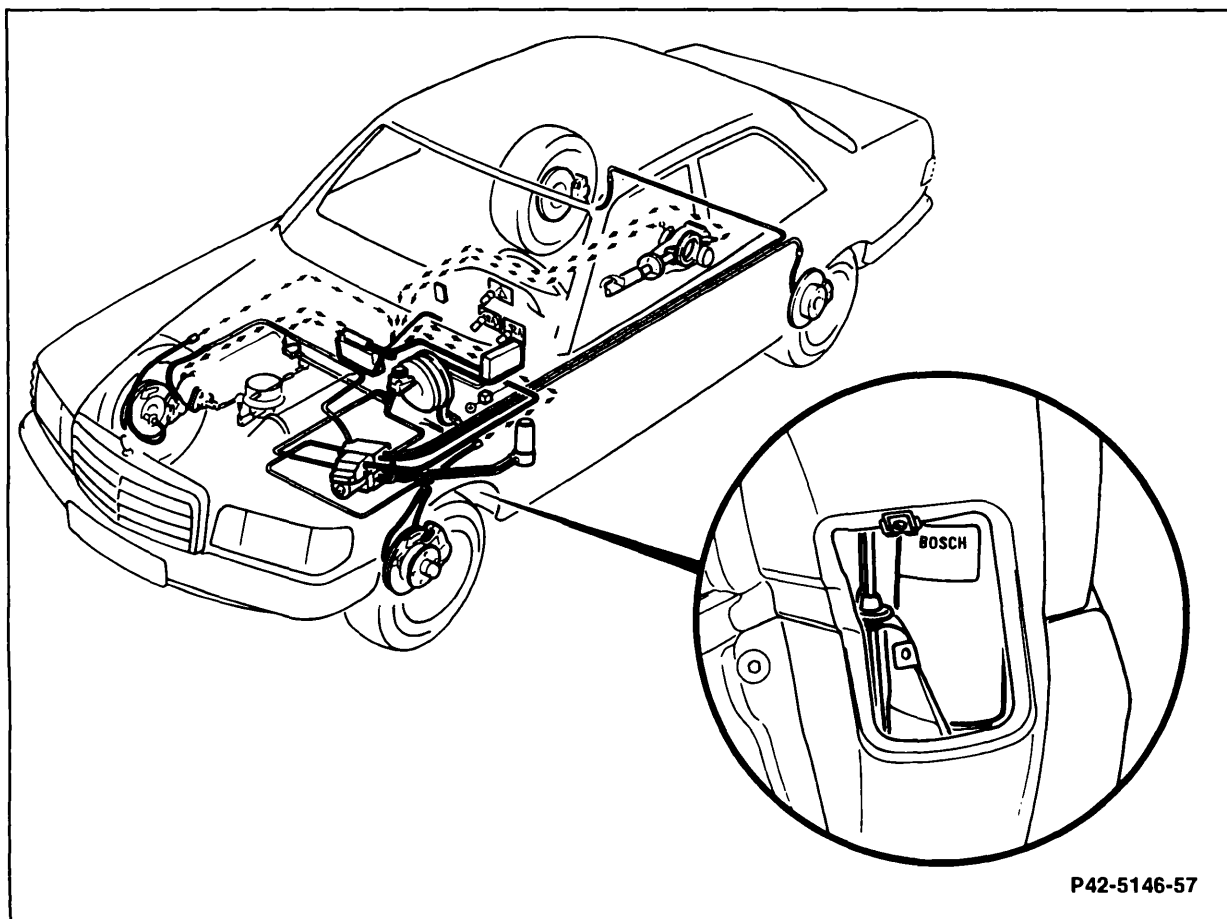
Models 124, 201

Vehicles with ASRIII

Models 124.034/036

- Inspect lines and charging pump. Inspect pressure reservoir through opening in plastic cover under left front fender.

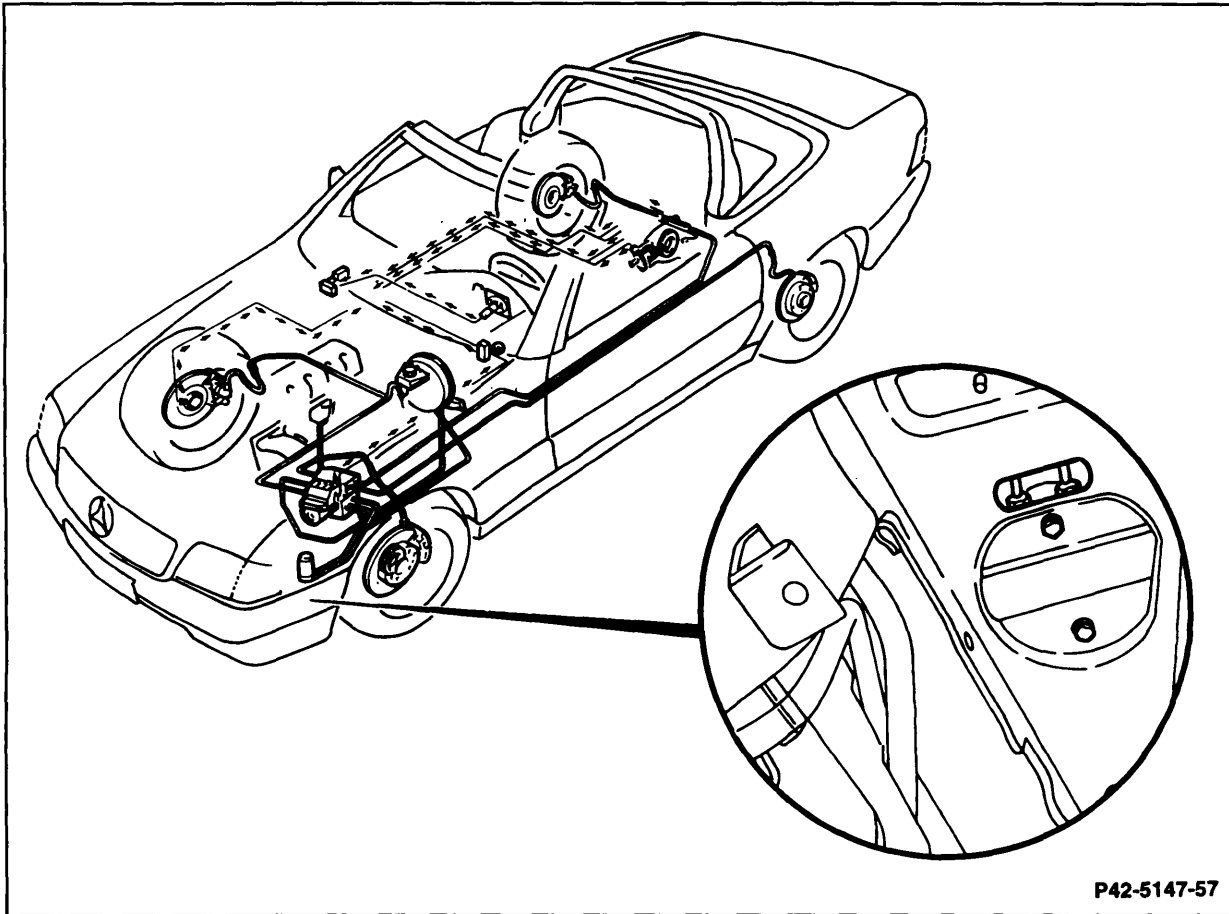
Check condition of all lines and hoses. Check for chafe marks and proper routing.



Vehicles with ASRII Model 126

- Inspect lines and charging pump. Inspect pressure reservoir through opening in plastic cover under left front fender.

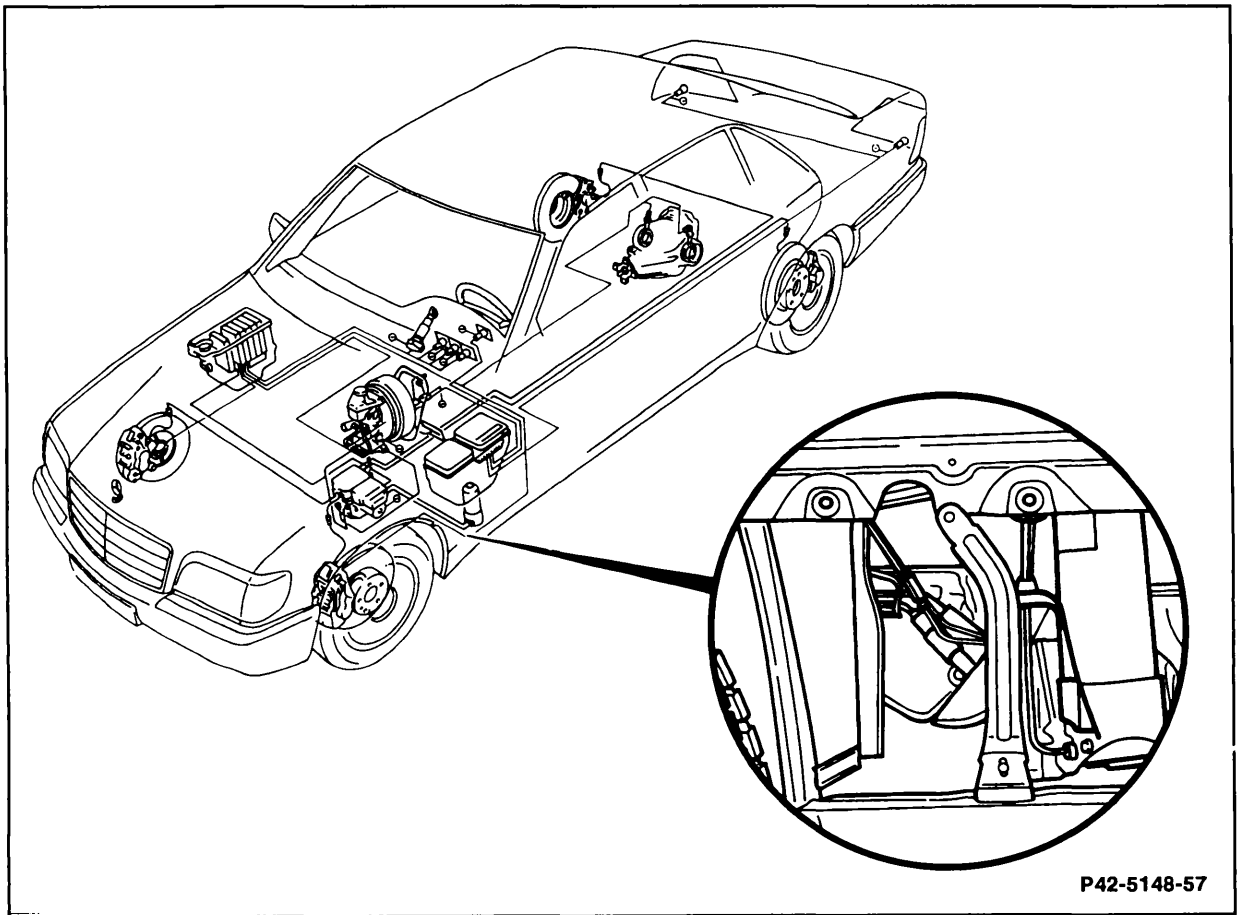
Check condition of all lines and hoses. Check for chafe marks and proper routing.



**Vehicles with ASRII
Model 129**

- Inspect the pressure reservoir connections from underneath the vehicle through opening in engine compartment left side wall.

Check condition of all lines and hoses. Check for chafe marks and proper routing.



Vehicles with ASRIII Model 140

- Inspect the pressure reservoir connections by removing left front fender lower side panel.