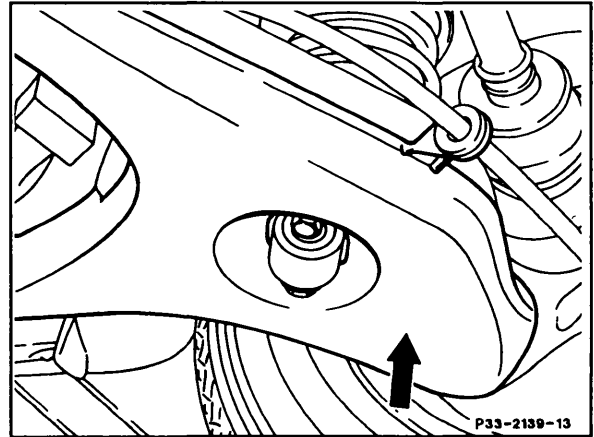
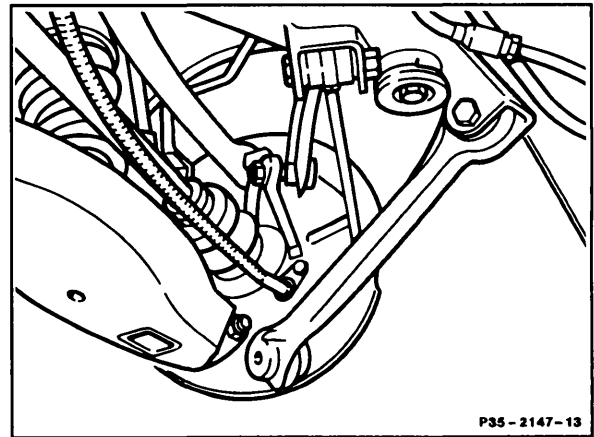


Check the following for damage and corrosion:

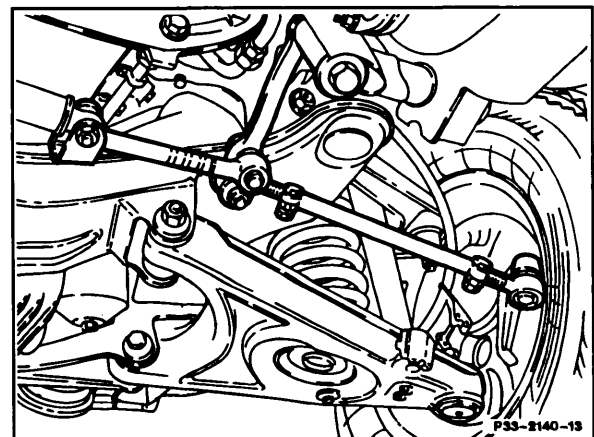
- Rear suspension control arms (semi-trailing arm suspension).



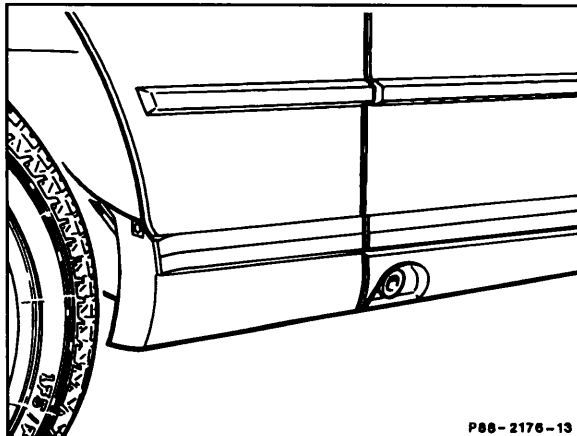
- Rear suspension links (multi-link suspension).



- A-arms and bushings.



- Rocker panel.



- Bumper and mounting on body.

