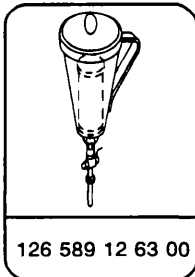


All models

Special tools



Oil

Hydraulic fluid

MB part no. 000 989 91 03/10
Refer to Factory Approved Service
Products list

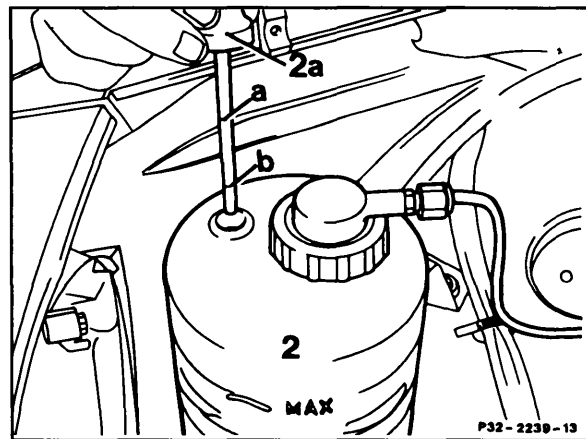
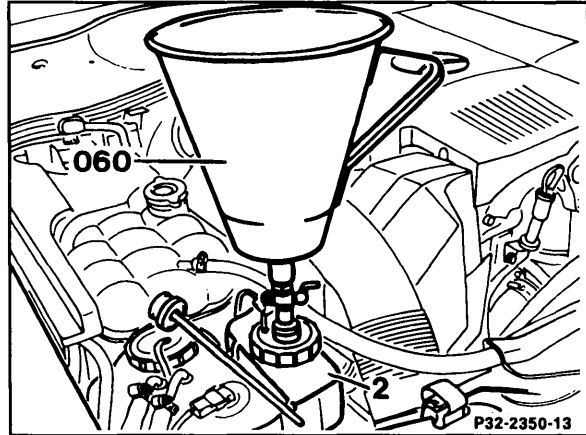
Note: Check fluid level with engine off. Correct if necessary.

With system in operating condition, the oil level should be between the MAX. and MIN. marks.

With vehicle loaded the resulting oil level will be near the MIN. mark (or below on vehicles with small reservoirs.)

Remove cap with integral dipstick front fluid reservoir. Read fluid level after wiping and reinserting dipstick.

Use filter funnel (060) to add fluid.



Model 123, 126 (1st version up through 08.1985)

Plastic fluid reservoir

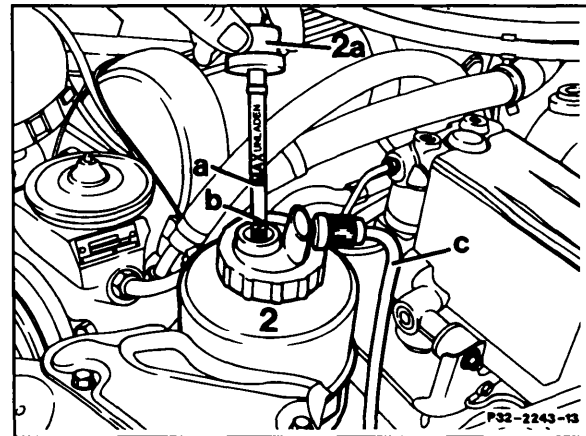
2 Fluid reservoir

2a Cap with integral dipstick.

a Max. mark

b Min. mark

C Return line, level control - reservoir.



Model 126 (2nd version as of 09.1985)

Plastic fluid reservoir

2 Fluid reservoir

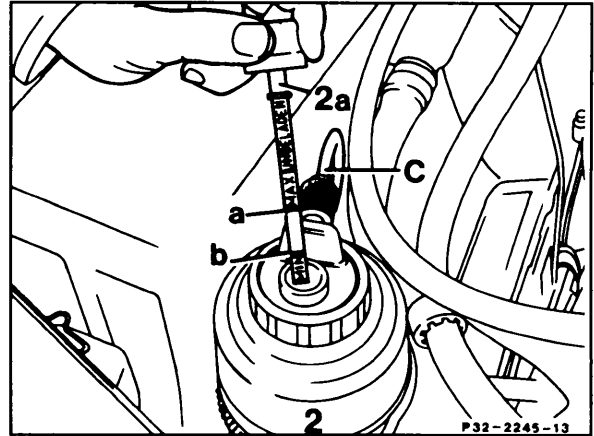
2a Cap with integral dipstick.

a Max. mark

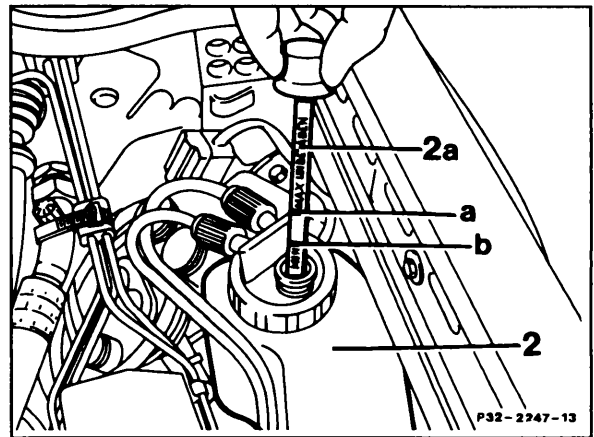
b Min. mark

C Return line, level control - reservoir.

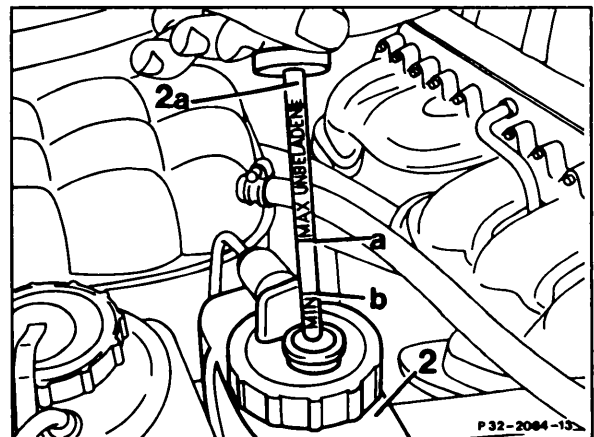
- Model 124, 201
 Plastic fluid reservoir
 2 Fluid reservoir
 2a Cap with integral dipstick.
 a Max. mark
 b Min. mark
 C Return line, level control - reservoir.



- Model 124 with 4MATIC or ASD
 2 Fluid reservoir
 2a Cap with integral dipstick.
 a Max. mark
 b Min. mark
 E1 Return line, hydraulic unit (connection T) -fluid reservoir
 E2 Without level control:
 Return line, hydraulic unit (connection N) -fluid reservoir
 With level control:
 Return line level control - fluid reservoir

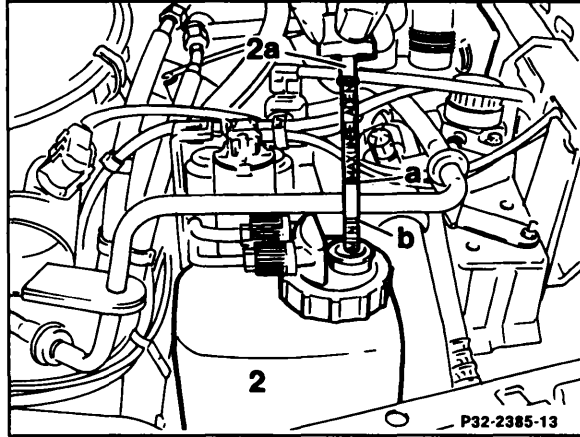


- Model 129 with with ADS and/or ASD
 2 Fluid reservoir
 2a Cap with integral dipstick.
 a Max. mark
 b Min. mark



Model 140

- 2 Fluid reservoir
- 2a Cap with integral dipstick.
- a Max. mark
- b Min. mark



Model 201.034

- Light alloy reservoir
- 2 Fluid reservoir
- 2a Cap with integral dipstick.
- a Max. mark
- b Min. mark

