

Mechanical sunroof

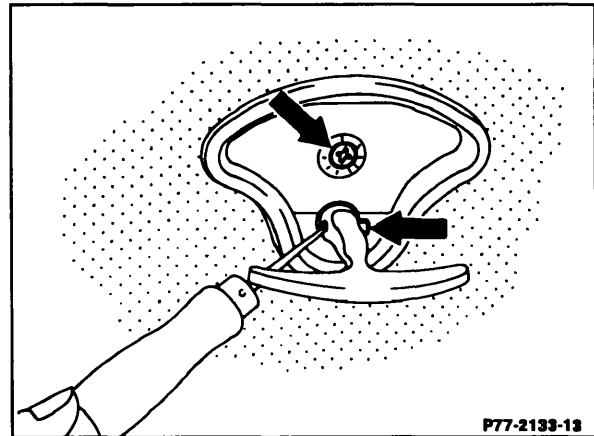
Type of lubricant

MB slide paste

001 989 14 51

Unlock sunroof and remove locking handle as well as bezel.

Open sunroof 3/4 and unclip roof headlining at front and remove from above.



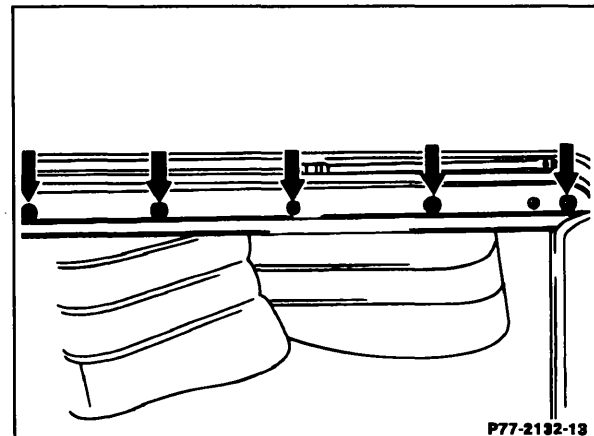
Open sunroof completely and remove sliding rails on left and right side.

Remove sunroof from above.

Clean out water drains at right front and left front from above with compressed air.

Replace damaged sliding jaws.

Clean rubber and plastic sliding jaws and thoroughly grease.



Clean sliding rails and thoroughly grease in area of contact surface.

Install sunroof and adjust.

Type of lubricant

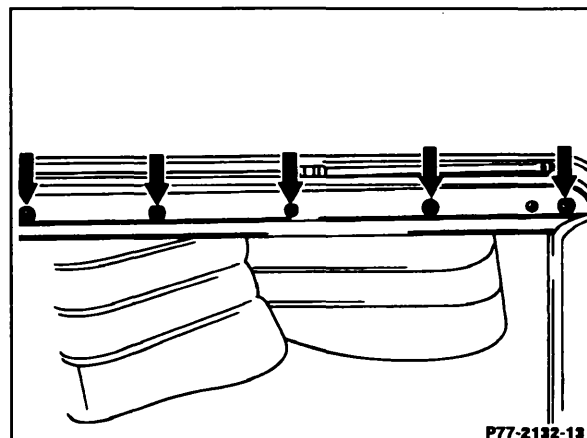
MB slide paste

001 989 14 51

Open sunroof 3/4 and unclip roof headlining at front and remove from above.

Open sunroof completely and remove sliding rails on left and right side.

Clean out water drains at right front and left front from above with compressed air.

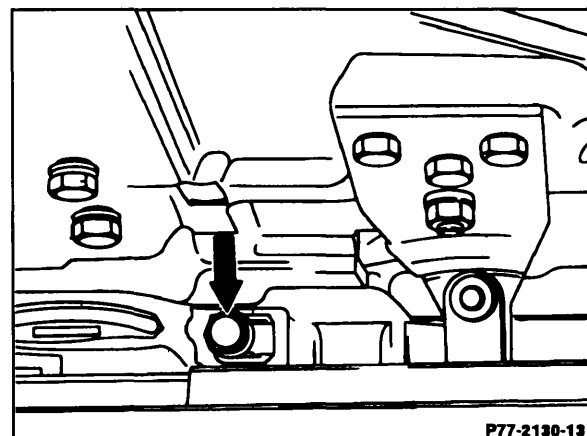


Close sunroof and unscrew locking bolt on left and right side.

Unscrew guide plate on roof frame at front and press out connecting clamp at cable (arrows).

Run control cable back.

Remove sunroof cover from above.

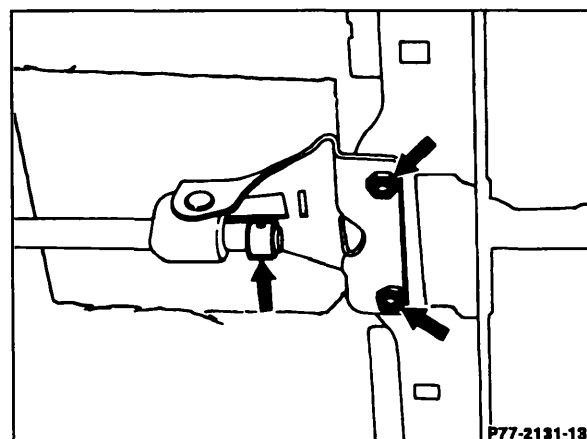


Replace damaged sliding jaws.

Clean and thoroughly grease rubber and plastic sliding jaws.

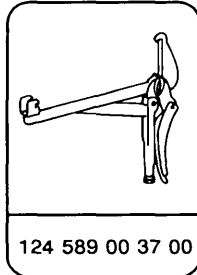
Clean sliding rails and thoroughly grease in area of contact surface.

Install sunroof and adjust.



Sliding lifting sunroof

Special tools



Type of lubricant

MB slide paste

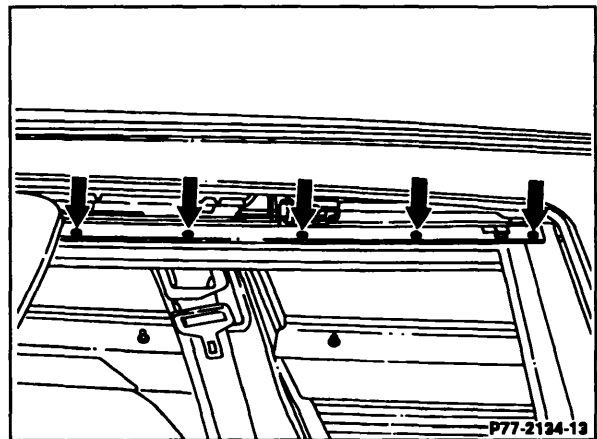
001 989 14 51

Open sunroof 3/4 and unclip roof headlining at front, fully open sunroof and remove headlining from above.

Remove sliding rails on left and right side.

Close sunroof.

Unscrew nuts on right and left.



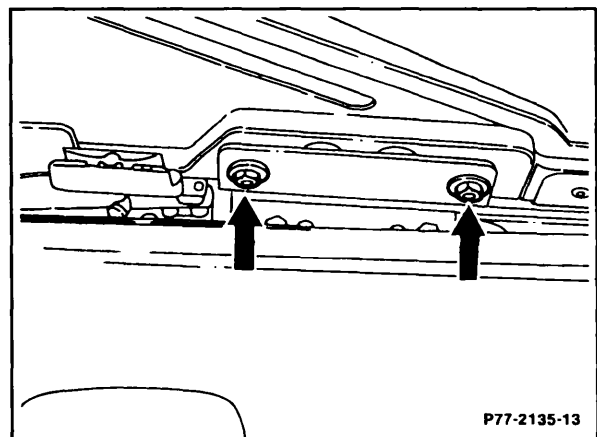
Unscrew nuts on right and left.

Remove sunroof panel from above.

Clean out water drains at right front and left front from above with compressed air.

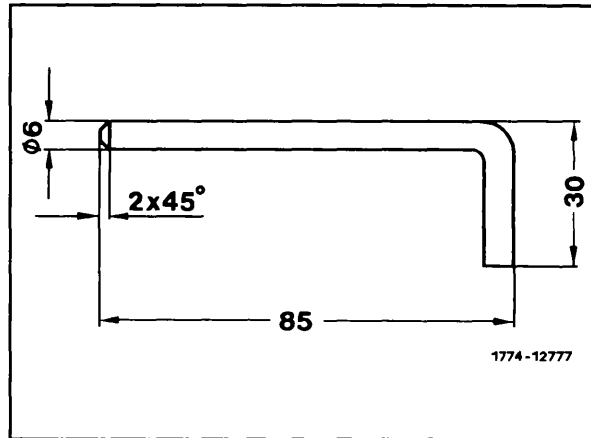
Replace damaged sliding jaws.

Clean and thoroughly grease rubber and plastic sliding jaws.

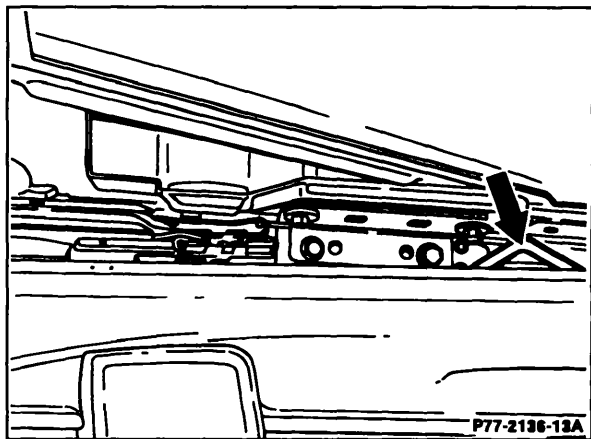


Clean sliding rails and thoroughly grease in area of contact surface.

Make 2 centering pins (if not already available).



Insert centering pins in centering bores on left and right side.



Insert sunroof panel from above, start nuts, preload sunroof panel using tool 124 589 00 37 00 and tighten nuts.

Complete assembly in reverse order of disassembly.

