

All models

Windshield wiper

Check edge of wiper blade for signs of hardening or cracks.

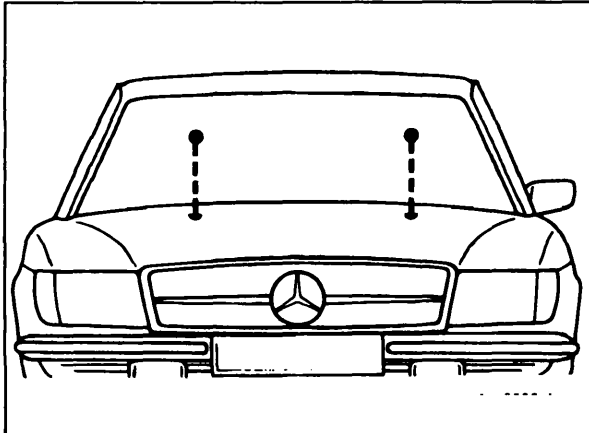
Also check that the edge of the wiper blade turns over when changing direction. If necessary, correct wiper arm offset so that end of wiper arm is parallel with wiping field. This can be easily checked by making a wooden gauge.

Operate windshield wiper and washer briefly. Wiping field should be wiped clean.

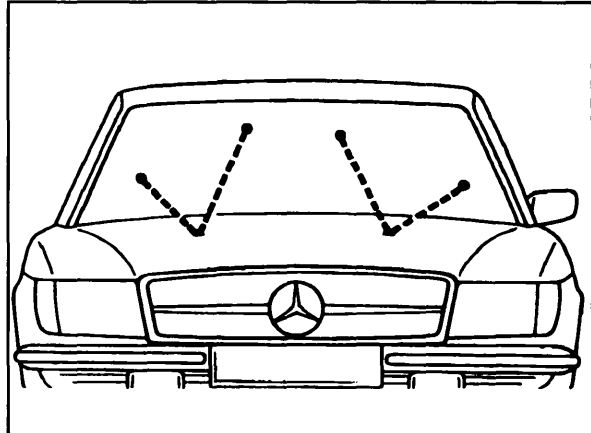
Windshield washer

Clean nozzles with suitable needle.

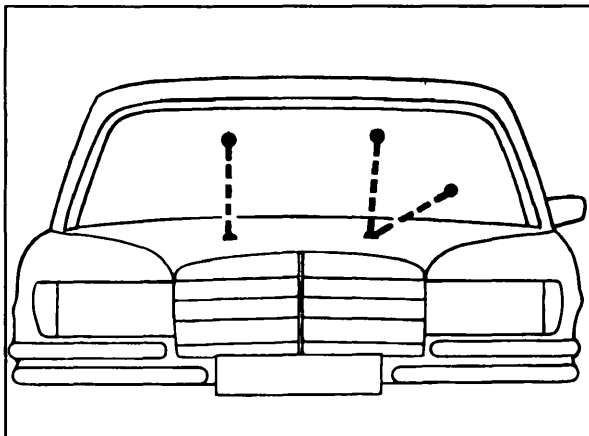
Check adjustment of nozzles.



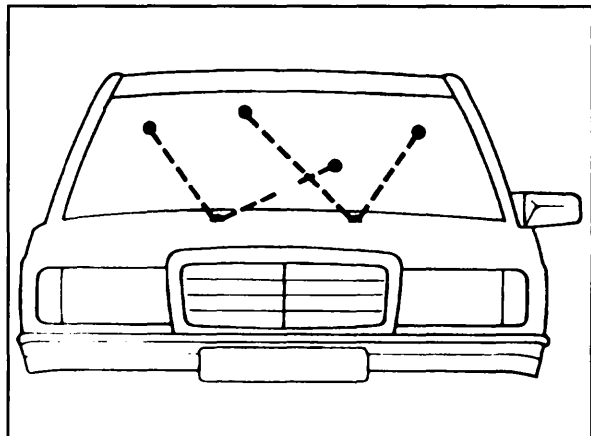
Model 107 1st version



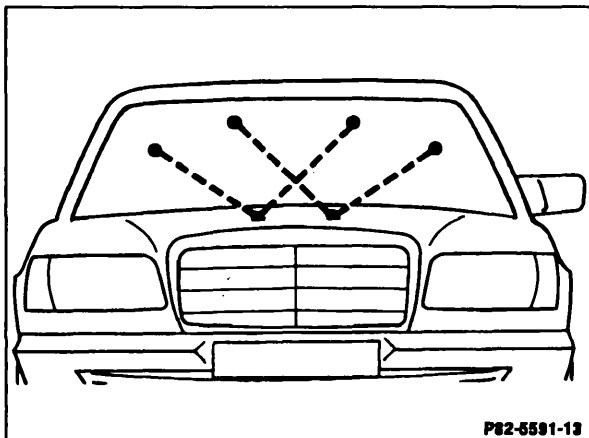
Model 107 2nd version



Model 123

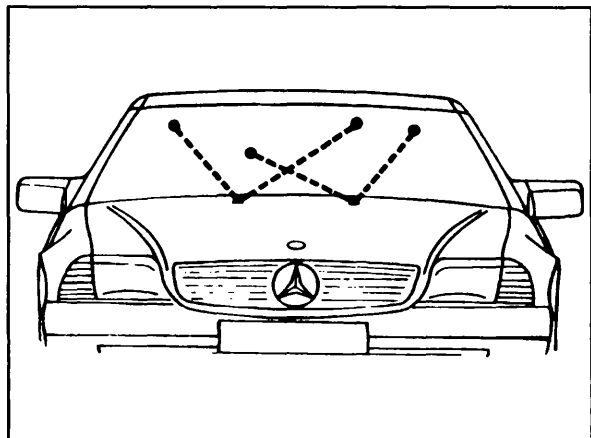


Model 124

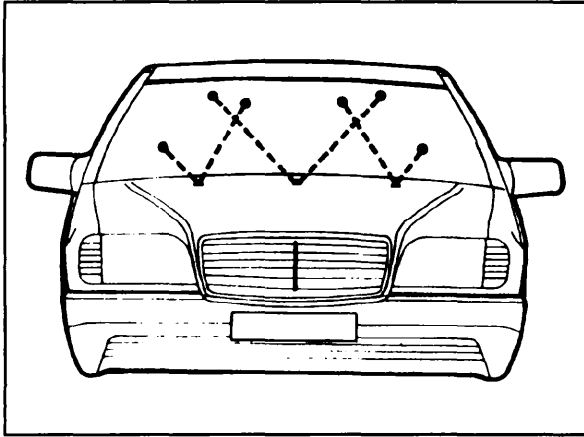


P82-5591-13

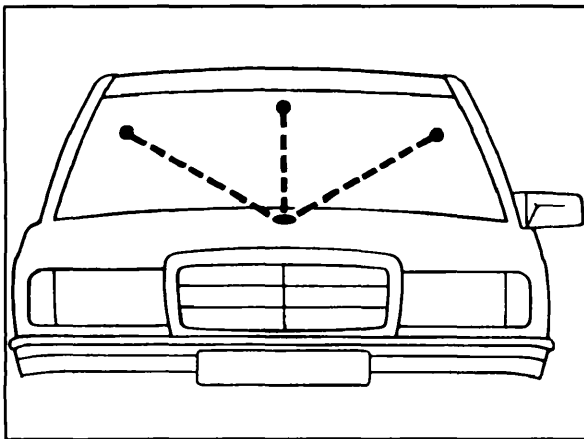
Model 126



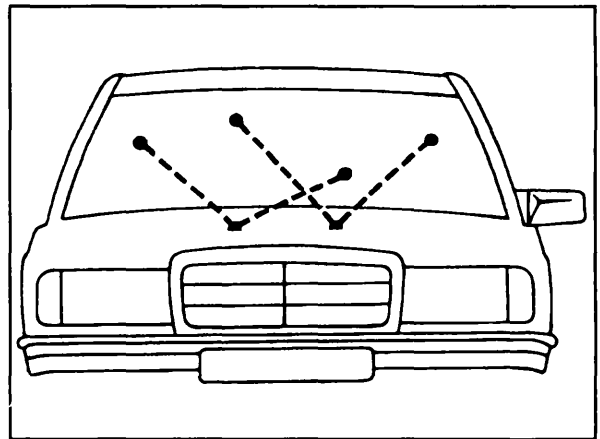
Model 129



Model 140



Model 201 1st version



Model 201 2nd version

Headlamp cleaning system

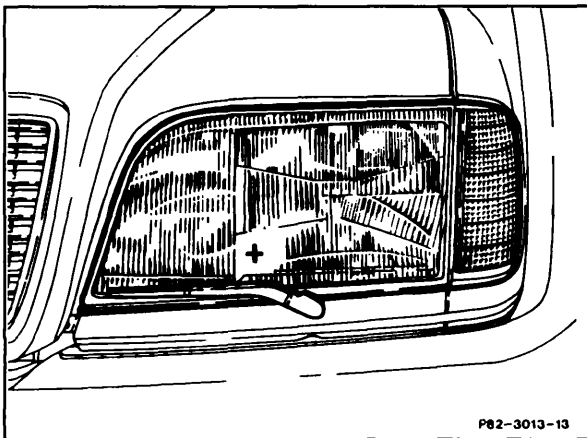
Check edge of wiper blade for signs of hardening and cracks.

Check adjustment of wiper blades.

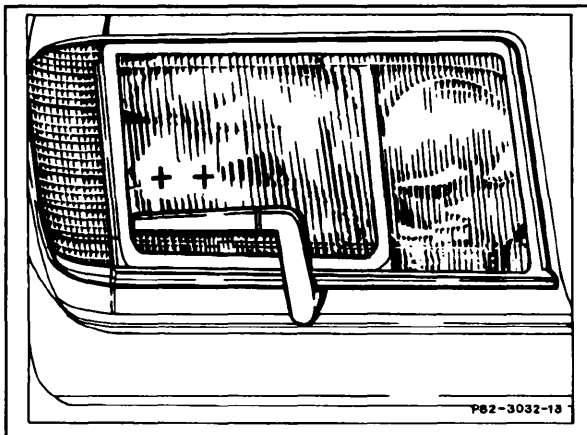
Switch on parking lamp and operate headlamp cleaning system.

The water spray should hit the area just above the parked wiper blade (crosses) on the headlamps.

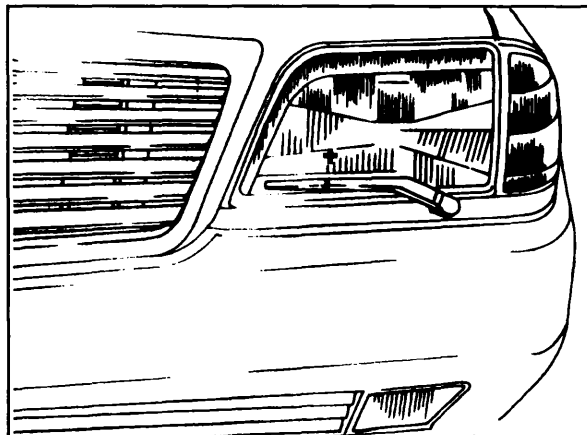
Clean jets with suitable needle or adjust as necessary.



Model 140



Models 124, 126, 201



Model 129